



ECS FILTER HOUSING

Single Bag series

*Wildely used in
industry*



Unique clamping device

ECS single-bag filter housings with side inlet piping connections and bottom outlet are a perfect choice for cost-sensitive applications. The side inlet piping connections can be adapted to different directions, according to your specific needs. The simple design allows an easy cleaning of the interior. Precision castings and swing eye-bolt closure guarantees integrity even at high pressures.

Applications

- Pulp and Paper
- Food and Beverage
- Metal Working Fluids
- Chemical Processing
- Paints, Inks, Resins and Coatings
- Automotive
- Electronics
- Pharmaceutical
- Petrochemicals

Features and benefits

- Side inlet piping connection and evacuation cover - eliminates liquid spillover when cover is opened.
- Integrated handle cover - single-handed, user-friendly operation.

- Unique basket seal design - EasyLock ensures no bypass.
- Swing eye-bolt closure - guarantees integrity even at high pressures.
- Electro-polished stainless steel perforated plate basket - perfect filter bag support, easy to clean.
- Adjustable mounting legs - stable and adaptable construction.

Filter specifications

No. of Filter Bags

1

Filter Bag Sizes

01: Size 01 02: Size 02
03: Size 03 04: Size 04

Inlet & Outlet

DIN / ANSI / BSP / NPT

Recommended Flow Rates^{1*}

40 m³ / h

Maximum operating temperatures^{2*}

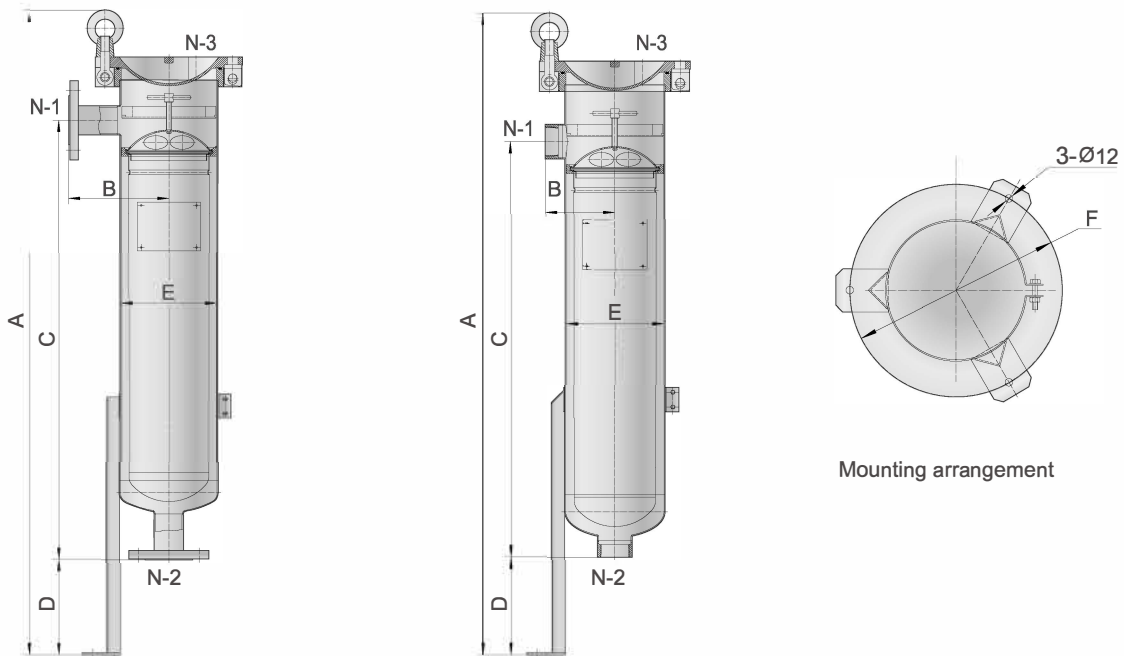
150 °C

Max. Operating Pressure

Size 01/ 02: 10 bar (145 psi)
Size 03/ 04: 16 bar (232 psi)

1 Depending on filter element / fluid viscosity*

2 Applicable temperature is determined based on filter bag and seal material*



Retention ratings

| Dimensions | Size 01 | Size 02 | Size 03* | Size 04* |
|--------------------------|--|--|---|--|
| A | Flange: 986mm (40") Thread: 950mm (37") | Flange: 1350mm (53") Thread: 1310mm (52") | Flange: 512mm (20") Thread: 462mm (18") | Flange: 671mm (26") Thread: 631mm (24") |
| B | Flange: 210mm (8") Thread: 142mm (6") | Flange: 210mm (8") Thread: 142mm (6") | Flange: 150mm (5") Thread: 92mm (3") | Flange: 150mm (5") Thread: 92mm (3") |
| C | Flange: 556mm (22") Thread: 530mm (21") | Flange: 920mm (36") Thread: 880mm (35") | Flange: 330mm (12") Thread: 280mm (11") | Flange: 500mm (19") Thread: 450mm (17") |
| D | 200mm (8") | 200mm (8") | / | / |
| E | 200mm (8") | 200mm (8") | 114.3mm (4.5") | 114.3mm (4.5") |
| F | 321mm (13") | 321mm (13") | / | / |
| Specifications | Size 01 | Size 02 | Size 03 | Size 04 |
| Inlet (N1) / Outlet (N2) | Flange: DN50 PN16 (2" 150#) / Thread: BSP2" (NPT2") | | Flange: DN40 PN40 (2" 300#) / Thread: BSP1 12" (NPT1 1/2") | |
| Vent Valve (N3) | NPT1/2"(Rc1/2") | NPT1/2"(Rc1/2") | NPT1/2"(Rc1/2") | NPT1/2"(Rc1/2") |
| Vessel Volume | 17 L (4 gal) | 28 L (7 gal) | 3 L (0.8 gal) | 4 L (1 gal) |
| Net Weight | 24 kg (53 lb) | 28 kg (62 lb) | 12.8 kg (28 lb) | 13.4 kg (29 lb) |

*Available in size 3 or 4 housings (without support legs),3 eye-bolt seal



MONARCH
INDUSTRIAL PRODUCTS