



YC Series Y-Check Valves

1/2" TO 4" PVC AND CPVC

KEY FEATURES

- Available in PVC and CPVC
- Full Flow Design
- Minimum Pressure Drop
- PVC or CPVC Coil to Guide Piston to a Positive Seat
- Minimal Back Pressure Required to Seat Piston

OPTIONS

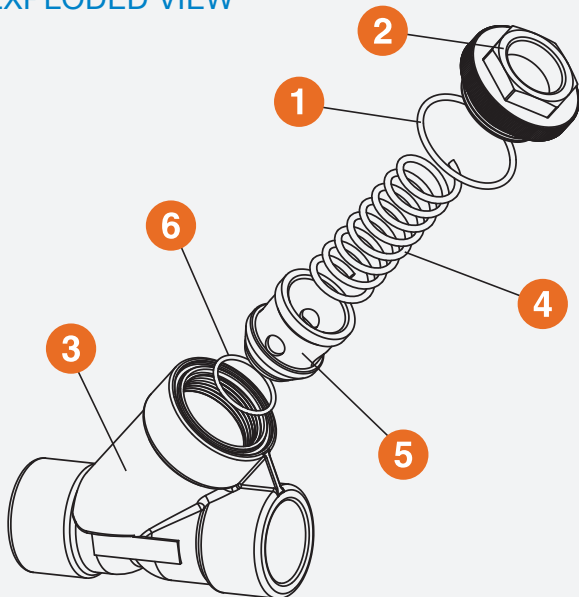
- Drilled Cap for Easy Drainage
- True Union End Connections

MATERIALS

- PVC Cell Class 12454 per ASTM D1784
- CPVC Cell Class 23447 per ASTM D1784
- FPM and EPDM O-Ring Seals

TECHNICAL INFORMATION

EXPLODED VIEW



SELECTION CHART

SIZE	MATERIAL	END CONNECTION	SEALS	PRESSURE RATING
1/2" – 4" (DN15 – DN100)	PVC or CPVC	Socket, Threaded, Flanged or True Union	FPM or EPDM	150 PSI @ 70°F 10 Bar @ 21°C Non-Shock

* PVC and CPVC socket ends available to ISO 727-1 and threaded ends to BS21.

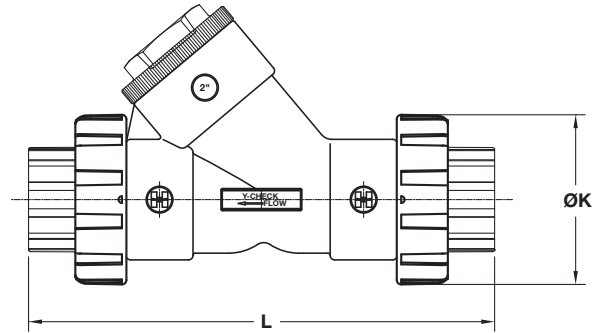
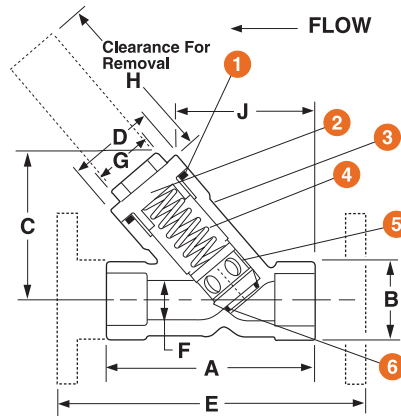
YC Series Y-Check Valves

1/2" TO 4" PVC AND CPVC

TECHNICAL INFORMATION, CONTINUED

PARTS LIST

1. O-Ring Seal
2. Hex Cap
3. Body
4. Coil
5. Disc
6. O-Ring Disc Seal



DIMENSIONS

SIZE in / DN	A in / mm	B in / mm	C in / mm	D in / mm	E in / mm	F in / mm	G in / mm	H in / mm	J in / mm	K in / mm	L in / mm	WEIGHT lbs / kg	
												SOC/ THD	FLANGED
1/2 / 15	3.38 / 86	1.38 / 35	2.25 / 57	1.50 / 38	NA	0.56 / 14	1.00 / 25	1.50 / 38	2.50 / 64	2.25 / 57	6.64 / 169	0.25 / 0.11	NA
3/4 / 20	4.18 / 106	1.69 / 43	2.88 / 73	2.00 / 51	NA	0.81 / 21	1.25 / 32	1.75 / 44	3.00 / 76	2.63 / 67	7.42 / 188	0.63 / 0.29	NA
1 / 25	5.19 / 132	2.00 / 51	3.63 / 92	2.16 / 55	NA	1.00 / 25	1.50 / 38	2.25 / 57	3.32 / 84	3.00 / 76	8.97 / 228	0.88 / 0.40	NA
1-1/4 / 32	6.63 / 168	2.63 / 67	4.50 / 114	2.94 / 75	NA	1.25 / 32	2.00 / 51	3.00 / 76	4.45 / 113	4.75 / 121	13.01 / 330	1.75 / 0.79	NA
1-1/2 / 40	6.63 / 168	2.63 / 67	4.50 / 114	2.94 / 75	NA	1.56 / 40	2.00 / 51	3.00 / 76	4.45 / 113	4.75 / 121	12.07 / 307	1.63 / 0.74	NA
2 / 50	7.63 / 194	3.38 / 86	5.38 / 137	3.75 / 95	11.00 / 279	2.00 / 51	2.38 / 60	3.25 / 83	4.88 / 124	4.75 / 121	13.05 / 331	3.00 / 1.36	5.00 / 2.27
2-1/2 / 65	10.31 / 262	4.69 / 119	7.25 / 184	5.50 / 140	NA	2.90 / 74	3.50 / 89	4.25 / 108	6.54 / 166	6.40 / 163	16.77 / 426	7.75 / 3.52	NA
3 / 80	10.31 / 262	4.69 / 119	7.25 / 184	5.50 / 140	14.37 / 365	2.90 / 74	3.50 / 89	4.25 / 108	6.54 / 166	6.40 / 163	16.77 / 426	7.50 / 3.40	12.50 / 5.67
4 / 100	12.81 / 325	5.75 / 146	8.88 / 226	6.18 / 157	17.73 / 450	3.78 / 96	4.25 / 108	5.00 / 127	8.58 / 218	8.56 / 217	21.23 / 539	9.50 / 4.30	17.50 / 7.94

Dimensions are subject to change without notice – consult factory for installation information

Cv VALUES

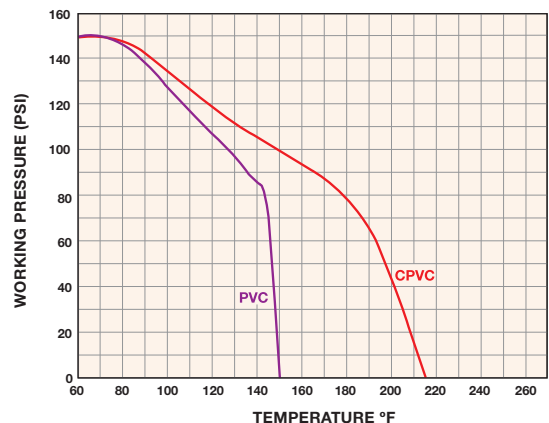
SIZE in / DN	Cv VALUES	SIZE in / DN	Cv VALUES
1/2 / 15	0.8	2 / 50	65.0
3/4 / 20	3.0	2-1/2 / 65	75.0
1 / 25	9.0	3 / 80	110.0
1-1/4 / 32	26.0	4 / 100	240.0
1-1/2 / 40	45.0		

PRESSURE LOSS CALCULATION FORMULA

$$\Delta P = \left[\frac{Q}{C_v} \right]^2$$

ΔP = Pressure Drop
 Q = Flow in GPM
 C_v = Flow Coefficient

OPERATING TEMPERATURE/PRESSURE



Hayward is a registered trademark of Hayward Industries, Inc. © 2021 Hayward Industries, Inc.

USA: 1.888.429.4635 • Fax: 1.888.778.8410 • One Hayward Industrial Drive • Clemmons, NC 27012 • Email: hfcsales@hayward.com
 Canada: 1.888.238.7665 • Fax: 1.905.829.3636 • 2880 Plymouth Drive • Oakville, ON L6H 5R4 • Email: hfcanada@hayward.com
 Visit us at: haywardflowcontrol.com

Authorised Distributor of Hayward Flow Control, a Division of Hayward Industries, Inc

Hayward Flow Control has been a leading manufacturer of industrial thermoplastic valves and process control products for more than 60 years. In fact, Hayward was one of the originators of the first thermoplastic ball valves. Since then, we have remained committed to producing the highest quality products while providing outstanding service.

Liquid Filters and Strainers



Bag Filter vessel

- GFPP
- PVC
- CPVC



Simplex Strainers

- PVC
- CPVC
- GFPP
- PVDF
- Eastar® (Clear)



Y Strainers

- PVC
- CPVC
- Clear PVC
- PVDF



Duplex Strainers

- PVC
- CPVC
- GFPP
- Eastar® (Clear)

Valves and Flow Control



Ball Valves

- PVC
- CPVC
- GFPP
- PVDF



Butterfly Valves

- PVC
- CPVC
- GFPP
- PP
- PVDF



Check Valves

- Ball Check Valves
- Y-Check Valves
- Wafer Check Valves
- Swing Check Valves



Actuation

- Electric
- Pneumatic



Pressure & Chemfeed

- Injection Quills
- Back Pressure
- Pressure Relief
- Diaphragm Valves
- Needle Valves
- Angle Globe Valves



Solenoid Valves

- PVC
- CPVC
- PVDF



Australia

Monarch Asia Pacific Pty Ltd
Unit 3
8 Bult Drive
Brendale, QLD 4500

Phone : +61 (0) 7 3889 9949

www.monarcindustrial.com.au



Thailand

PSF Equipment (Thailand) Co Ltd
11 Soi Suanphak 42
Suanphak Road, Chimphi
Talingchan, Bangkok 10170

Phone : +66 (0) 2 882 5512
Fax No: +66 (0) 2 424 3725

www.psfthailand.com