

SV Series True Union Solenoid Valves

1/4" TO 1" PVC AND CPVC
1/2" TO 1" PVDF



KEY FEATURES

- Available in PVC, CPVC and NEW Natural PVDF
- Corrosion-Resistant Polyester Coil
- No Pressure Differential Required for Operation
- Both 1/2" Conduit or SJ-Type Cord Electrical Connection
- 120 VAC Standard
- Normally Closed Design

OPTIONS

- 12 VAC, 24 VAC, 220 VAC, 12 VDC, 24 VDC

OPERATING PARAMETERS

¹For optimum valve performance, differential pressure must not exceed 90 psi.

²Flow velocity must not exceed 5 ft/sec

³Units are not to be operated 'on' continuously

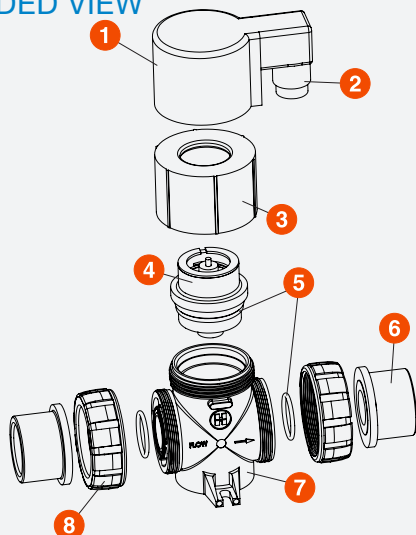
⁴Maximum back pressure 25 psi.

MATERIALS

- PVC Cell Class 12454 per ASTM D1784
- CPVC Cell Class 23447 per ASTM D1784
- Natural PVDF per ASTM D3222 Type 1
- FPM and EPDM O-Ring Seals

TECHNICAL INFORMATION

EXPLODED VIEW



SELECTION CHART

SIZE	MATERIAL	END CONNECTION	SEALS	PRESSURE RATING
1/4" – 1" * (DN8 – DN25)	PVC or CPVC	Socket and Threaded	FPM or EPDM	150 PSI @ 70°F 10 Bar @ 21°C Non-Shock
1/2" – 1" * (DN15 – DN25)	PVDF	Socket Fusion and Threaded	FPM	

* PVC and CPVC socket ends available to ISO 727-1 and threaded ends to BS21.
For optimum performance, differential poeasure must not exceed 90 psi across the valve.

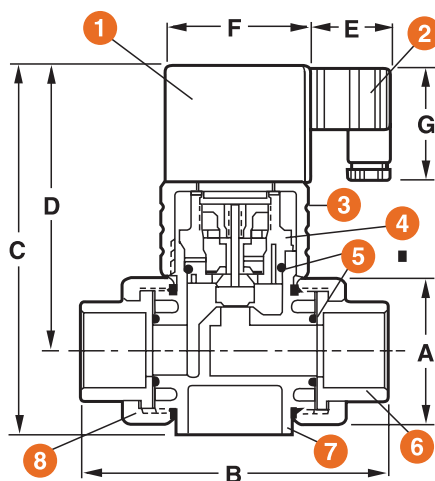
SV Series True Union Solenoid Valves

1/4" TO 1" PVC AND CPVC & 1/2" TO 1" PVDF

TECHNICAL INFORMATION, CONTINUED

PARTS LIST

1. Solenoid Coil
2. Electrical Connector
3. Bonnet Nut
4. Seal Cartridge
5. O-Rings
6. End Connector
7. Body
8. Union Nut



DIMENSIONS PVC, CPVC

SIZE in / DN	A in / mm	B in / mm	C in / mm	D in / mm	E in / mm	F in / mm	G in / mm	WEIGHT lbs / kg
1/4 / 8	2.25 / 57	5.30 / 135	6.30 / 160	4.60 / 117	1.60 / 41	2.60 / 66	2.00 / 51	2.79 / 1.27
1/2 / 15*	2.25 / 57	5.30 / 135	6.30 / 160	4.60 / 117	1.60 / 41	2.60 / 66	2.00 / 51	2.81 / 1.27
3/4 / 20*	2.63 / 67	5.50 / 140	6.60 / 168	5.10 / 130	1.60 / 41	2.60 / 66	2.00 / 51	3.01 / 1.37
1 / 25*	2.63 / 67	5.50 / 140	6.60 / 168	5.10 / 130	1.60 / 41	2.60 / 66	2.00 / 51	3.03 / 1.37

DIMENSIONS PVDF

SIZE in / DN	A in / mm	B in / mm	C in / mm	D in / mm	E in / mm	F in / mm	G in / mm	WEIGHT lbs / kg
1/2 / 15*	2.23 / 57	5.00 / 127	6.40 / 163	5.09 / 129	1.60 / 41	2.60 / 66	2.00 / 51	3.00 / 1.36
3/4 / 20*	2.60 / 66	5.44 / 138	6.61 / 168	5.13 / 130	1.60 / 41	2.60 / 66	2.00 / 51	3.20 / 1.45
1 / 25*	2.60 / 66	5.44 / 138	6.61 / 168	5.13 / 130	1.60 / 41	2.60 / 66	2.00 / 51	3.22 / 1.46

Dimensions are subject to change without notice – consult factory for installation information

* Metric End Connections Available In: BSP – Straight Thread, BSP TR – Tapered Thread and Metric Socket

Cv VALUES

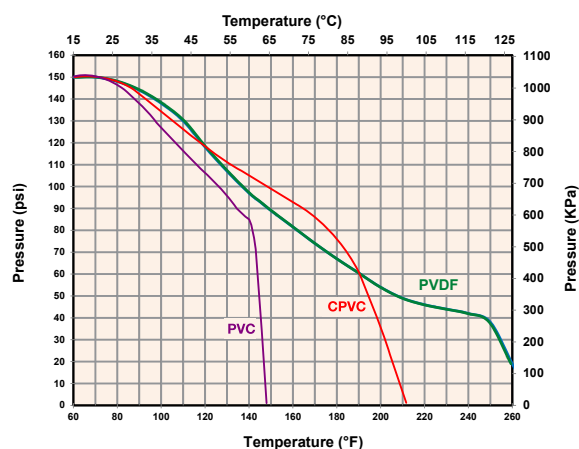
SIZE in / DN	Cv VALUES
1/4 / 8	1.3
1/2 / 15	2.3
3/4 / 20	3.2
1 / 25	3.8

PRESSURE LOSS CALCULATION FORMULA

$$\Delta P = \left[\frac{Q}{C_v} \right]^2$$

ΔP = Pressure Drop
 Q = Flow in GPM
 C_v = Flow Coefficient

OPERATING TEMPERATURE/PRESSURE



Hayward is a registered trademark of Hayward Industries, Inc. © 2021 Hayward Industries, Inc.

USA: 1.888.429.4635 • Fax: 1.888.778.8410 • One Hayward Industrial Drive • Clemmons, NC 27012 • Email: hfcsales@hayward.com
 Canada: 1.888.238.7665 • Fax: 1.905.829.3636 • 2880 Plymouth Drive • Oakville, ON L6H 5R4 • Email: hflowcanada@hayward.com
 Visit us at: haywardflowcontrol.com

Authorised Distributor of Hayward Flow Control, a Division of Hayward Industries, Inc

Hayward Flow Control has been a leading manufacturer of industrial thermoplastic valves and process control products for more than 60 years. In fact, Hayward was one of the originators of the first thermoplastic ball valves. Since then, we have remained committed to producing the highest quality products while providing outstanding service.

Liquid Filters and Strainers



Bag Filter vessel

- GFPP
- PVC
- CPVC



Y Strainers

- PVC
- CPVC
- Clear PVC
- PVDF



Simplex Strainers

- PVC
- CPVC
- GFPP
- PVDF
- Eastar® (Clear)



Duplex Strainers

- PVC
- CPVC
- GFPP
- Eastar® (Clear)

Valves and Flow Control



Ball Valves

- PVC
- CPVC
- GFPP
- PVDF



Check Valves

- Ball Check Valves
- Y-Check Valves
- Wafer Check Valves
- Swing Check Valves



Pressure & Chemfeed

- Injection Quills
- Back Pressure
- Pressure Relief
- Diaphragm Valves
- Needle Valves
- Angle Globe Valves



Butterfly Valves

- PVC
- CPVC
- GFPP
- PP
- PVDF



Actuation

- Electric
- Pneumatic



Solenoid Valves

- PVC
- CPVC
- PVDF



Australia

Monarch Asia Pacific Pty Ltd
Unit 3
8 Bult Drive
Brendale, QLD 4500

Phone : +61 (0) 7 3889 9949

www.monarcindustrial.com.au



Thailand

PSF Equipment (Thailand) Co Ltd
11 Soi Suanphak 42
Suanphak Road, Chimphi
Talingchan, Bangkok 10170

Phone : +66 (0) 2 882 5512
Fax No: +66 (0) 2 424 3725

www.psfthailand.com