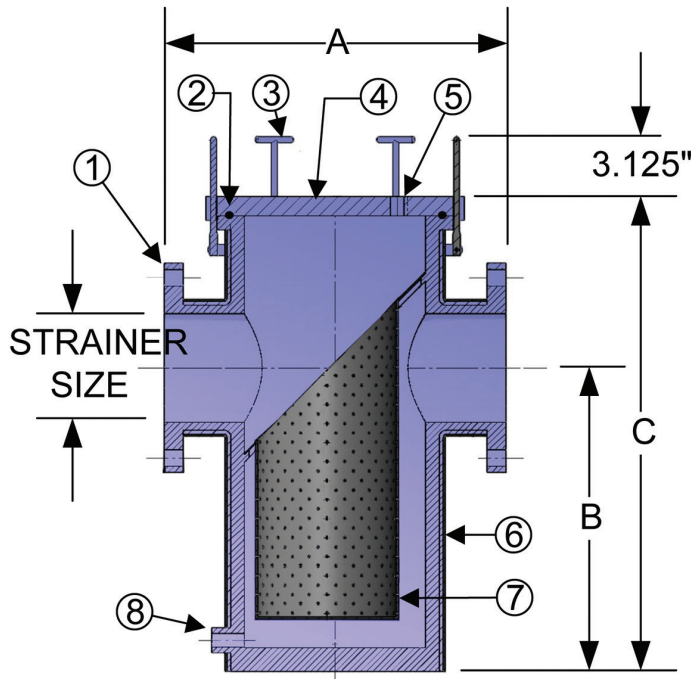
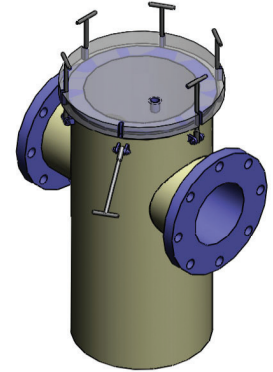


SW SERIES STRAINERS

Fiberglass Reinforced Plastic (FRP) Molded Hair & Lint Strainers



PRESSURE RATING = 50 PSI
MAX TEMPERATURE = 140°F



MATERIALS LIST

Item	Part	Material
1	Flange	PVC
2	Gasket	O-Ring
3	T-Handle	SS316
4	Cover	Cast Acrylic
5	Vent	1/2" PVC FPT
6	Body	FRP
7	Basket	1/8" Perf SS316
8	Drain	PVC NPT

ENGINEERING DATA & PART NUMBERS

QTY	Part Numbers	Strainer Size (Inches)	Face to Face A (Inches)	Center Line B (Inches)	Height C (Inches)	Drain NPT D (Inches)	Weight (LBS)	Notes
	SW116103031	3	11	10-1/2	18	1/2	27	
	SW116104031	4	13-3/4	11-5/8	20	1/2	31	
	SW116105031	5	17	16	25	3/4	43	
	SW116106031	6	18	16	25	3/4	45	
	SW116108031	8	20	21-1/2	33	3/4	63	
	SW116110031	10	22	23	37	1	82	
	SW116112031	12	27-1/2	31-5/8	45-1/2	1	135	
	SW116114031	14	35	32-1/2	47	1	168	

Please inquire for sizes 16" and up.

Strainers for Commercial Aquatic Applications

The Fluidtrol SW Series is a non-metallic housing in-line basket strainer engineered for commercial aquatic applications such as swimming pools, water parks, zoos, and aquariums. Wetted surfaces are comprised of FRP (Fiberglass Reinforced Plastic with High Quality Vinyl Ester Resin), PVC and EPDM. This composite construction offers the highest corrosion resistance along with the structural integrity to project a 20-30 lifespan. FRP has excellent electrical insulation properties. The standard basket is SS316 - 1/8" perforations, but many options exist for clients requiring a different filtration level or material of construction. Contact Fluidtrol if custom configurations or dimensions are required.