





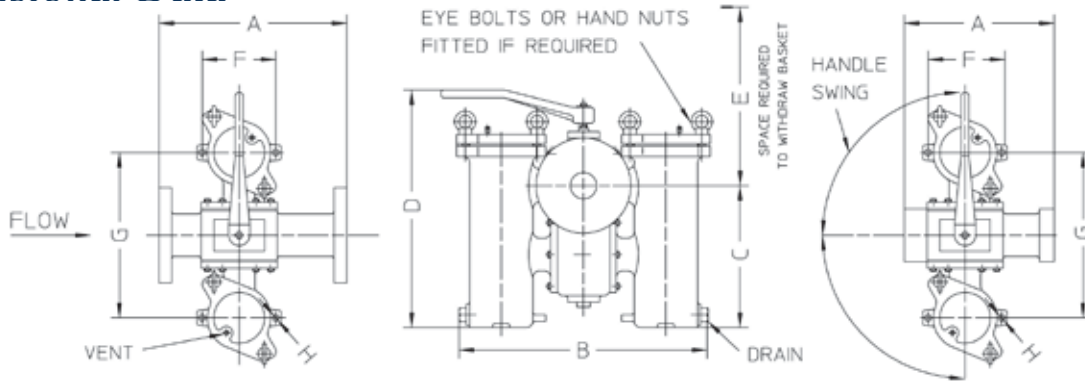
Application

Duplex Basket Strainers are designed for applications where continuous flow must be maintained whilst cleaning filter baskets. The strainer uses integral 3 way stainless steel ball valves with PTFE seals. This design provides drop tight shutoff eliminating costly and potentially dangerous leakage into the chamber not in use which can occur in some other duplex strainer designs. This also eliminates some problems which can occur in particular suction conditions where in other designs air ingress could occur. All parts of the valve mechanism are accessible after removing the basket chamber without taking the strainer out of the pipeline.

The handle covers the strainer chamber when in use and prevents accidental opening of the filter cover.

- Available in cast iron, bronze, carbon and stainless steel.
- Pipeline sizes from 20mm (3/4") to 200mm (8") (ask for details of sizes above 200mm).
- Available flanged in all common drillings including PN16 and ANSI150 (ANSI300 and 600 on request) and screwed ports both BSP and NPT or socket weld.
- XD range up to 13.8 Barg (pressure stated at 50C, lower pressure at higher temperatures, ask if unsure). Temperature limited by chosen seal. Pressure also limited by flange rating. 200mm and above lower working pressure.
- Large filter baskets areas, manufactured in st. steel 316.
- Various options including differential pressure indicator, magnets and heating jackets.
- Can be coated internally and externally.

Dimensional Data



Bore Size	Flanged Filters	Threaded Filters	Common Dimensions (mm)							Basket Area CM sq	Mass (dry)	
			A	A	B	C	D	E	F		G	H
DN20/25	178	142	329	148	305	243	-	224	-	130	21	19.8
DN32/40	238	191	284	205	377	335	136	260	12	243	33.5	31.7
DN50	270	254	468	271	471	400	158	310	14	425	55	54
DN65	343	292	560	347	579	538	158	310	14	701	107.5	103
DN80	343	-	560	347	579	538	196	370	14	701	108	-
DN100	406	-	682	403	649	637	228	464	17	1057	169.5	-

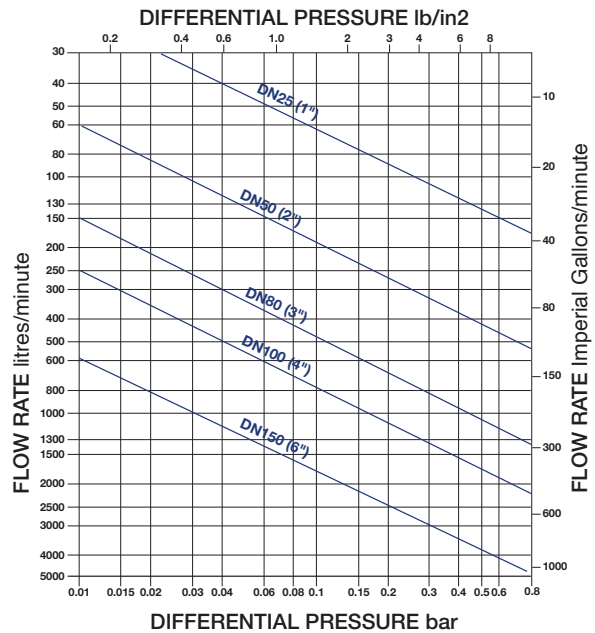
N.B. Table data refers to PN16 & ANSI125/150 only

Basket and Mesh Data

Meshes per linear inch	Size of aperture
20 mesh	0.91mm
30 mesh	0.56mm
40 mesh	0.38mm
60 mesh	0.25mm
80 mesh	0.19mm
120 mesh	0.13mm
200 mesh	0.08mm
300 mesh	0.05mm

The chart is for water (1cSt) flowing through a filter with an element coarser than 1 millimetre perforations. For correction factors for varying viscosity/mesh size, please see our Simplex data sheet or consult Oxford Filtration Ltd.

Flow Chart for Duplex Basket Strainers



Oxford Filtration is a market leading manufacturer and supplier of pipeline strainers including:

- Simplex and duplex basket strainers
- Self-clean filters
- Temporary strainers
- Y type strainers
- Wedge wire elements

All in a vast range of materials, pressures and sizes.
www.oxfordfiltration.com



The policy of Oxford Filtration Ltd is one of continuous product improvement. The right is therefore reserved to amend specifications and product dimensions without prior notice.