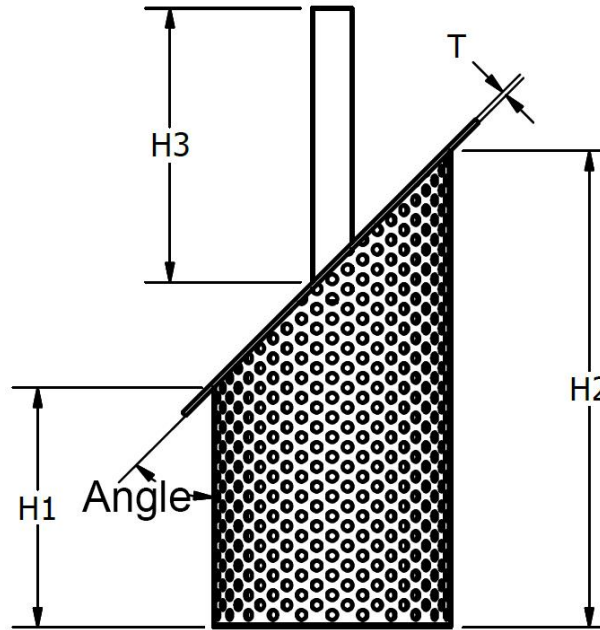


Side View

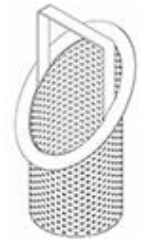
Mesh Lined



Side View

Loop Handle

Square Handle



| Dimensions (mm) | | |
|-----------------|--|----|
| Side View | | |
| T | | mm |
| H1 | | mm |
| H2 | | mm |
| H3 | | mm |
| Angle | | mm |

| Front view | | |
|------------|--|----|
| A (OD) | | mm |
| A1 (OD) | | mm |
| B (ID) | | mm |
| B1 (ID) | | mm |
| D | | mm |

(B and D should be the same)

| Removal Size | |
|--------------------------|---------|
| Perf | |
| Fine Mesh | |
| Material of Construction | |
| 304 S/S | 316 S/S |
| Handle Type | |
| Loop | Square |

Doc No. WD0002

Title:

Slanted Strainer Basket Mesh Lined (Inside handle)

Please complete, save as a PDF and return for quoting.

Date:

Name:

Monarch Ref No.

Company:

Customer Ref No.

Email:

NOT TO SCALE

Phone:

Return to:

sales@monarcindustrial.com.au



www.monarchindustrial.com.au