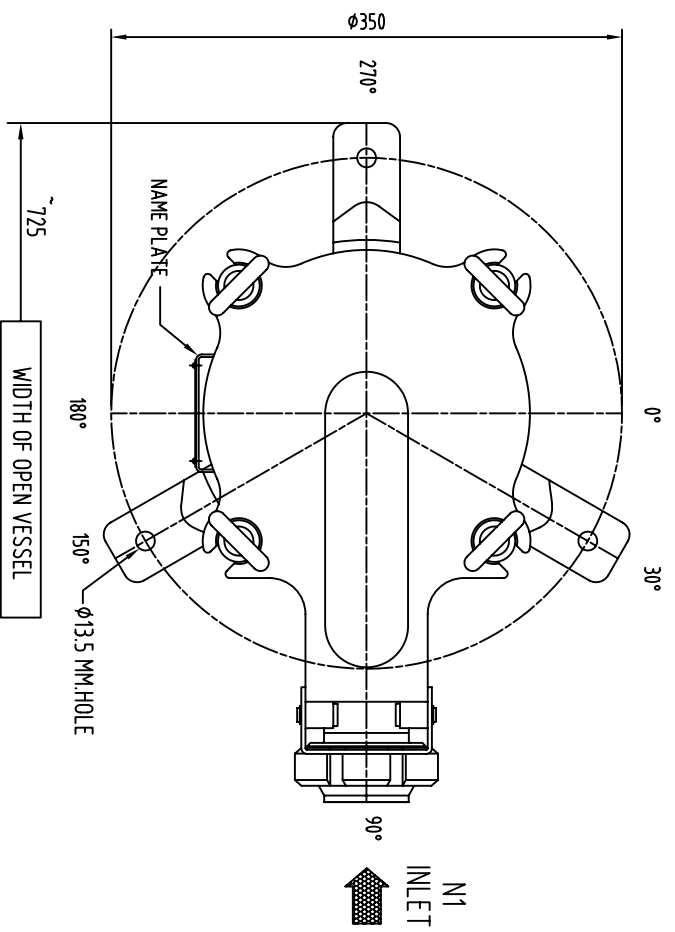
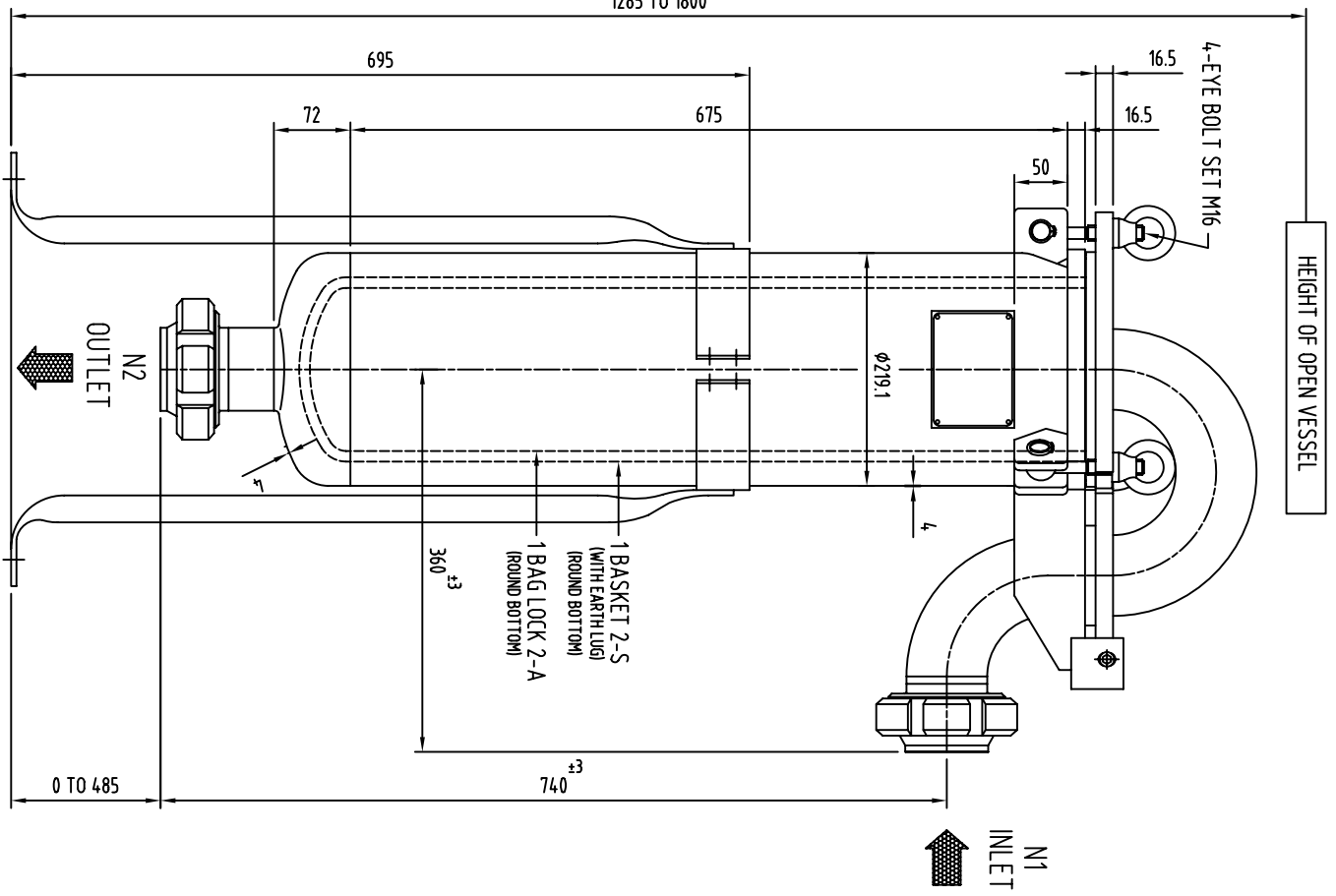


1285 TO 1800



FATON		MODEL: RBT-1BSLGM	VESSEL	JACKET
DESIGN PRESSURE (bar)		PDS.NO: 378 REV.1	10	-
MAX. OPERATING PRESSURE (bar)			10	-
DESIGN TEMPERATURE (°C)			100	-
MAX. OPERATING TEMPERATURE (°C)			100	-
MATERIAL			SS.304	-
VOLUME (litre)			28	-
INLET/OUTLET (N1/N2)			3" NZ RJT UNION	-
BASKET TYPE			BKT-SE-AB-02 (WIRE MESH)	-
GASKET (BUNA-N)			ARP.337,442,445	-
EMPTY WEIGHT (kgs.)			~45	-
FINISHING: (INSIDE & OUTSIDE)			POLISHED TO 400 GRITS	-
DWG.NO: GAF-0248/2.1	DATE: 24/05/2007	APP.	DATE:	