



Australian Agents for Hayward

[www.monarchindustrial.com.au](http://www.monarchindustrial.com.au)

[www.monarchasiapacific.com.au](http://www.monarchasiapacific.com.au)

# FLV Series PVC & CPVC Bag Filter Product Guide

FLOW CONTROL

define  
design

deliver

# Hayward® Flow Control - Define, Design, Deliver...

For more than 80 years, Hayward Flow Control's leading thermoplastic fluid handling products and solutions have proven to excel in the harshest environments. Thousands of customers worldwide have installed our products into aggressive and corrosive systems, as well as delicate life support systems where the strictest chemical balance is required. We understand the rigorous demands of industrial piping and are committed to offering advantageous products for your application that will keep your systems working.

Introducing the newest member of the FLV Series, Hayward's new PVC and CPVC Bag Filters. Featuring molded in, true union connections, the PVC and CPVC FLV Series make installations easy. Made from PVC and CPVC materials, these bag filters are extremely robust and offer high chemical resistance, ideal for bleach and sodium hypochlorite solutions.

Available in Sizes 1 and 2 lengths with pipe sizes from 1-1/4" to 4", in Simplex through Quadplex assembly, the PVC and CPVC FLV Series provides flexibility for your piping systems. The new FLV design also includes Hayward's industry leading ergonomic cover design with liquid displacing dome, vent valve and drain plug.

Hayward Flow Control products carry an industry-leading, full two-year warranty. As an ISO 9001:2008 certified company, we strive for the highest quality product possible for use in a wide range of demanding applications.



## Other Filtration Solutions from Hayward Flow Control...

### GFPP FLV SERIES BAG & CARTRIDGE FILTERS

- Platinum Glass Filled Polypropylene Material
- One-Piece Injection Molded Construction with True Union Connections
- Hand Removable, Ergonomic Cover with Liquid Displacing Dome
- Vent Valve Included On Cover
- In-Line or Loop Configuration
- Integral Mounting Base
- Available for Bags or Cartridges
- Duplex and Triplex Assemblies



### LS SERIES AQUATIC SAND FILTER

- Ideal for Sensitive Aquatic Environments or Salt Water Systems
- Integral Molded Drain Plug
- Integral Top Diffuser
- Efficient, Multilateral Underdrain Assembly
- Durable Flanged Inspection Cover
- Corrosion Resistant Thermoplastic Housing and Base
- All Wetted Hardware Manufactured from 316 Stainless Steel



### INDUSTRIAL FILTER BAGS

- PP Needle Felt, Polyester Needle Felt, PP Mesh or Nylon Mesh
- 1 to 800 Micron Ratings
- Thermoplastic Ring Seal
- Thermoplastic Flange Seal
- Heavy Duty Sewn or Welded Construction
- Silicone-Free



### HIGH CAPACITY PLEATED CARTRIDGES

- Multiple Micron Ratings for High Efficiency Filtration
- Available in 7" and 2-1/2" Diameters, Single and Double Length
- High Surface Area Design Provides Excellent Flow Rates and Comprehensive Service Life
- Thermally Bonded DOE End-Caps, Core and Filter Media
- Low Pressure Drop
- Multiple Layered Media Construction Guarantees Dependable Performance





## FLV Series PVC & CPVC Bag Filters

SINGLE LENGTH – 16"  
1-1/4" TO 2" PIPE SIZES

### KEY FEATURES

- Available in PVC or CPVC Materials
- True Union End Connections - Socket, Threaded or Flanged
- Hand Removable, Ergonomic Cover with Liquid Displacing Dome
- Vent Valve Included On Cover
- Rated up to 100 GPM
- In-Line or Loop Flow Configurations
- Solid 1-Piece Basket
- Drain Port at Bottom
- Integral Mounting Base

### KEY BENEFITS

- Easier Installations Due to True Union Connectivity
- Vertical Flow Flutes in Basket, No Bag Snag and More Flow Area

### TYPICAL APPLICATIONS

- Water and Wastewater Treatment
- Desalinization, RO and Deionized Water Systems
- Chemical Processing
- Bleach & Sodium Hypochlorite Processing
- Metal Plating & Surface Finishing
- Aquatic and Animal Life Support Systems
- Marine and Corrosive Environments

### OPTIONS

- Pressure Gauge with Gauge Guard
- Pressure Differential Gauge and Switch
- EPDM O-Ring Seals
- Duplex Configurations

### MATERIALS

- PVC Cell Class 12454 per ASTM D1784
- CPVC Cell Class 23447 per ASTM D1784
- FPM Standard O-Ring Seals

## TECHNICAL INFORMATION

### SELECTION CHART

| SIZE / BODY MATERIAL                     | END CONNECTIONS   | PIPING SIZES                    | O-RING SEALS | PRESSURE RATING (BAR)                                  |
|--|---|---------------------------------|--------------|--|
| Single Length<br>7" x 16"<br>PVC or CPVC | PVC<br>(Socket, Threaded & Flanged)<br>CPVC<br>(Socket, Threaded & Flanged) | 1-1/4" – 2" rated<br>@ 100 GPM* | FPM or EPDM  | 150 PSI @ 70°F<br>Non-Shock<br>(10 Bar / 1 MPa @ 21°C) |

\* May be Limited by Pipe Size or Bag Choice

# FLV Series PVC & CPVC Bag Filters

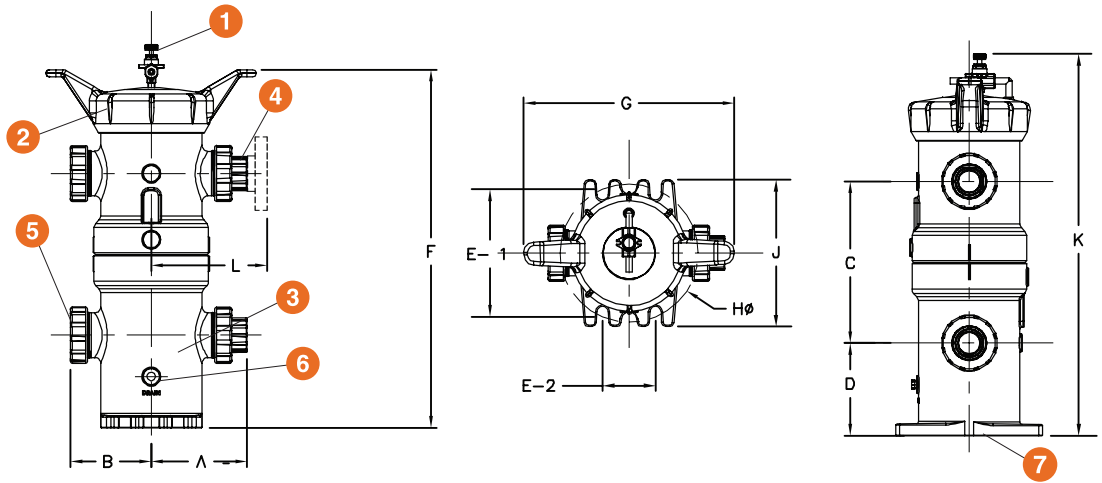
SINGLE LENGTH – 16"  
1-1/4" TO 2" PIPE SIZES



## TECHNICAL INFORMATION

### PARTS LIST

1. Vent Valve (Included)
2. Cover
3. Filter Body
4. End Connectors
5. Assembly Nut
6. Drain Port & Plug with O-Ring
7. Integrally Molded Mounting Pad

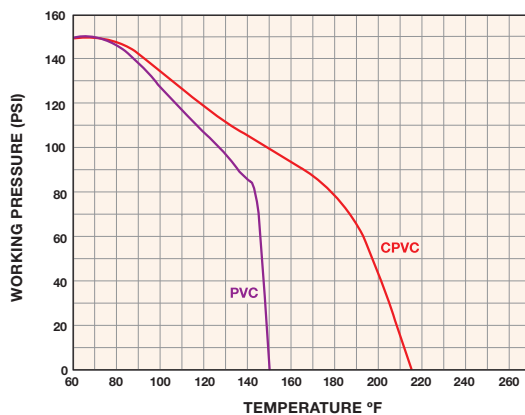


### DIMENSIONS – INCHES / MILLIMETERS

| FILTER SIZE<br>in / DN | A<br>in / mm | B<br>in / mm | C<br>in / mm | D<br>in / mm | E1<br>in / mm | E2<br>in / mm | F<br>in / mm | G<br>in / mm | H <sub>0</sub> B/C<br>in / mm | K<br>in / mm | L<br>in / mm |
|------------------------|--------------|--------------|--------------|--------------|---------------|---------------|--------------|--------------|-------------------------------|--------------|--------------|
| 1-1/4"                 | 8.16 / 207   | 6.88 / 175   | 13.75 / 349  | 7.87 / 200   | 10.86 / 276   | 4.50 / 114    | 30.50 / 775  | 17.90 / 455  | 11.75 / 298                   | 32.0 / 813   | 9.58 / 243   |
| 1-1/2"                 | 8.07 / 205   | 6.88 / 175   | 13.75 / 349  | 7.87 / 200   | 10.86 / 276   | 4.50 / 114    | 30.50 / 775  | 17.90 / 455  | 11.75 / 298                   | 32.0 / 813   | 9.66 / 245   |
| 2"                     | 8.16 / 207   | 6.88 / 175   | 13.75 / 349  | 7.87 / 200   | 10.86 / 276   | 4.50 / 114    | 30.50 / 775  | 17.90 / 455  | 11.75 / 298                   | 32.0 / 813   | 9.90 / 251   |

Dimensions are subject to change without notice – consult factory for installation information.

### OPERATING TEMPERATURE / PRESSURE



### SPECIFICATIONS

- Material of Construction:** PVC or CPVC
- Inlet Connections:** PVC (Socket, Threaded or Flanged)  
CPVC (Socket, Threaded or Flanged)
- Outlet Connections:** PVC (Socket, Threaded or Flanged)  
CPVC (Socket, Threaded or Flanged)
- Bag Size:** Bag Size #1: 7" x 16"
- Pressure Rating:** 150 PSI @ 70°F Non-Shock
- O-Ring Seals:** FPM or EPDM
- Bag Ratings:** 1, 5, 10, 25, 50, 100, 150, 200, 400, 600 and 800 Microns
- Flow Rate:** 100 GPM (May be Limited by Pipe Size or Bag Choice)
- Weight:** 50 lbs.





## FLV Series PVC & CPVC Bag Filters

DOUBLE LENGTH 32"  
1-1/4" TO 4" PIPE SIZES

### KEY FEATURES

- Available in PVC or CPVC Materials
- True Union End Connections - Socket, Threaded or Flanged
- Hand Removable, Ergonomic Cover with Liquid Displacing Dome
- Vent Valve Included on Cover
- Rated up to 100 GPM Flow Rates
- In-Line or Loop Flow Configurations
- Solid 1-Piece Basket
- Drain Port at Bottom
- Integral Mounting Base

### KEY BENEFITS

- Easier Installations Due to True Union Connectivity
- Vertical Flow Flutes in Basket, No Bag Snag and More Flow Area

### TYPICAL APPLICATIONS

- Water and Wastewater Treatment
- Desalinization, RO and Deionized Water Systems
- Chemical Processing & Handling
- Bleach & Sodium Hypochlorite Processing
- Food and Beverage
- Metal Plating & Surface Finishing
- Aquatic and Animal Life Support Systems
- Marine and Corrosive Environments

### OPTIONS

- Pressure Gauge with Gauge Guard
- Pressure Differential Gauge and Switch
- EPDM O-Ring Seals
- Duplex Configuration

### MATERIALS

- PVC Cell Class 12454 per ASTM D1784
- CPVC Cell Class 23447 per ASTM D1784
- FPM Standard O-Ring Seals

## TECHNICAL INFORMATION

### SELECTION CHART

| SIZE / BODY MATERIAL                     | END CONNECTIONS                      | PIPING SIZES                    | O-RING SEALS | PRESSURE RATING (BAR)                                  |
|--|--------------------------------------|---------------------------------|--------------|--|
| Double Length<br>7" x 32"<br>PVC or CPVC | PVC<br>(Socket, Threaded & Flanged)  | 1-1/4" – 4" rated<br>@ 100 GPM* | FPM or EPDM  | 150 PSI @ 70°F<br>Non-Shock<br>(10 Bar / 1 MPa @ 21°C) |
|  | CPVC<br>(Socket, Threaded & Flanged) |                                 |              |  |

\* May be Limited by Pipe Size or Bag Choice

# FLV Series PVC & CPVC Bag Filters

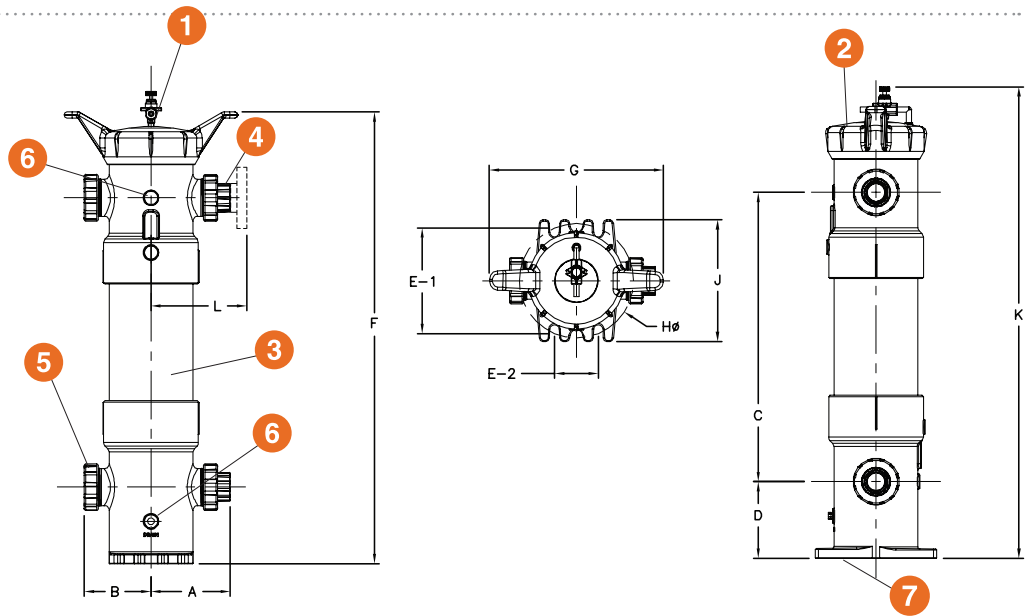
DOUBLE LENGTH – 32"  
1-1/4" TO 4" PIPE SIZES



## TECHNICAL INFORMATION

### PARTS LIST

1. Vent Valve (Included)
2. Cover
3. Filter Vessel Body
4. End Connector
5. Assembly Nut
6. Drain Port & Plug with O-Ring
7. Integrally Molded Mounting Pad

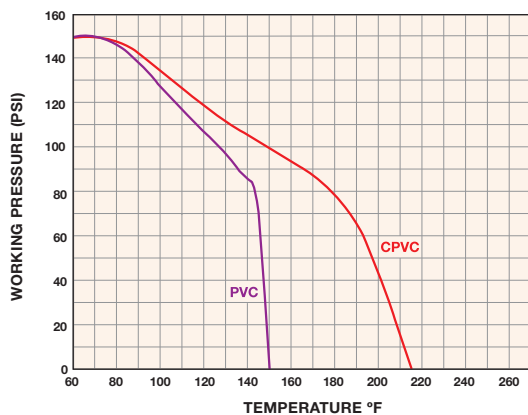


### DIMENSIONS – INCHES / MILLIMETERS

| FILTER SIZE<br>in / DN | A<br>in / mm | B<br>in / mm | C<br>in / mm | D<br>in / mm | E1<br>in / mm | E2<br>in / mm | F<br>in / mm | G<br>in / mm | Hø B/C<br>in / mm | J<br>in / mm | K<br>in / mm | L<br>in / mm |
|------------------------|--------------|--------------|--------------|--------------|---------------|---------------|--------------|--------------|-------------------|--------------|--------------|--------------|
| 1-1/4" / 32            | 8.16 / 207   | 6.88 / 175   | 29.75 / 756  | 7.87 / 200   | 10.86 / 276   | 4.50 / 114    | 46.50 / 1181 | 17.90 / 455  | 11.75 / 298       | 12.50 / 318  | 48.0 / 1219  | 9.58 / 243   |
| 1-1/2" / 40            | 8.07 / 205   | 6.88 / 175   | 29.75 / 756  | 7.87 / 200   | 10.86 / 276   | 4.50 / 114    | 46.50 / 1181 | 17.90 / 455  | 11.75 / 298       | 12.50 / 318  | 48.0 / 1219  | 9.66 / 245   |
| 2" / 50                | 8.16 / 207   | 6.88 / 175   | 29.75 / 756  | 7.87 / 200   | 10.86 / 276   | 4.50 / 114    | 46.50 / 1181 | 17.90 / 455  | 11.75 / 298       | 12.50 / 318  | 48.0 / 1219  | 9.90 / 251   |
| 2-1/2" / 65            | 8.92 / 227   | 7.50 / 191   | 29.75 / 756  | 7.87 / 200   | 10.86 / 276   | 4.50 / 114    | 46.50 / 1181 | 17.90 / 455  | 11.75 / 298       | 12.50 / 318  | 48.0 / 1219  | 10.96 / 278  |
| 3" / 80                | 8.83 / 224   | 7.50 / 191   | 29.75 / 756  | 7.87 / 200   | 10.86 / 276   | 4.50 / 114    | 46.50 / 1181 | 17.90 / 455  | 11.75 / 298       | 12.50 / 318  | 48.0 / 1219  | 10.85 / 276  |
| 4" / 100               | 9.24 / 235   | 7.50 / 191   | 29.75 / 756  | 7.87 / 200   | 10.86 / 276   | 4.50 / 114    | 46.50 / 1181 | 17.90 / 455  | 11.75 / 298       | 12.50 / 318  | 48.0 / 1219  | 11.70 / 297  |

Dimensions are subject to change without notice – consult factory for installation information.

### OPERATING TEMPERATURE / PRESSURE

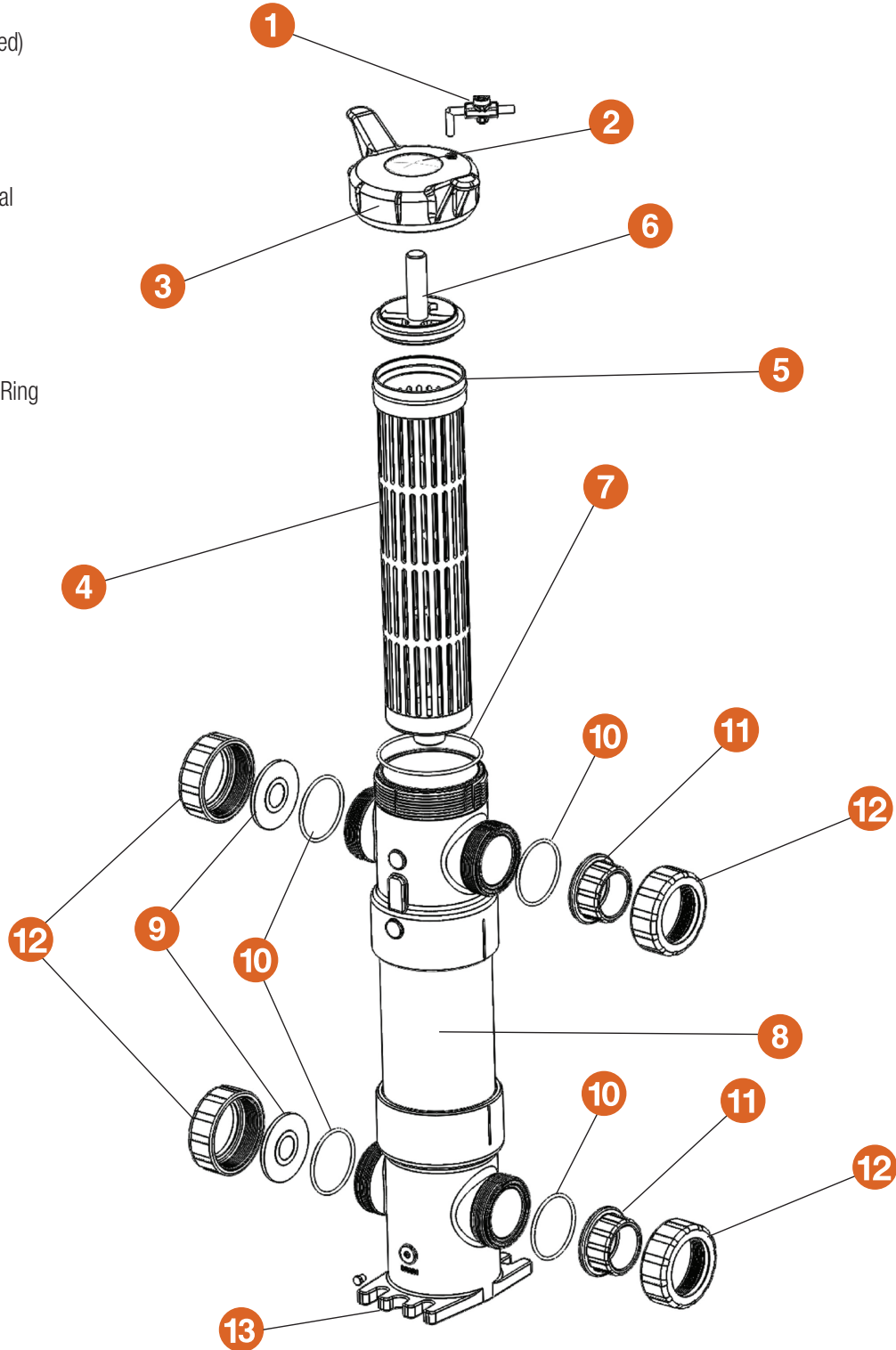


### SPECIFICATIONS

- Material of Construction:** PVC or CPVC
- Inlet Connections:** PVC (Socket, Threaded and Flanged)  
CPVC (Socket, Threaded and Flanged)
- Outlet Connections:** PVC (Socket, Threaded and Flanged)  
CPVC (Socket, Threaded and Flanged)
- Bag Size:** Bag Size #2: 7" x 32"
- Pressure Rating:** 150 PSI @ 70°F Non-Shock
- O-Ring Seals:** FPM or EPDM
- Bag Ratings:** 1, 5, 10, 25, 50, 100, 150, 200, 400, 600 and 800 Microns
- Flow Rate:** 100 GPM (May be Limited by Pipe Size or Bag Choice)
- Weight:** 71 lbs.

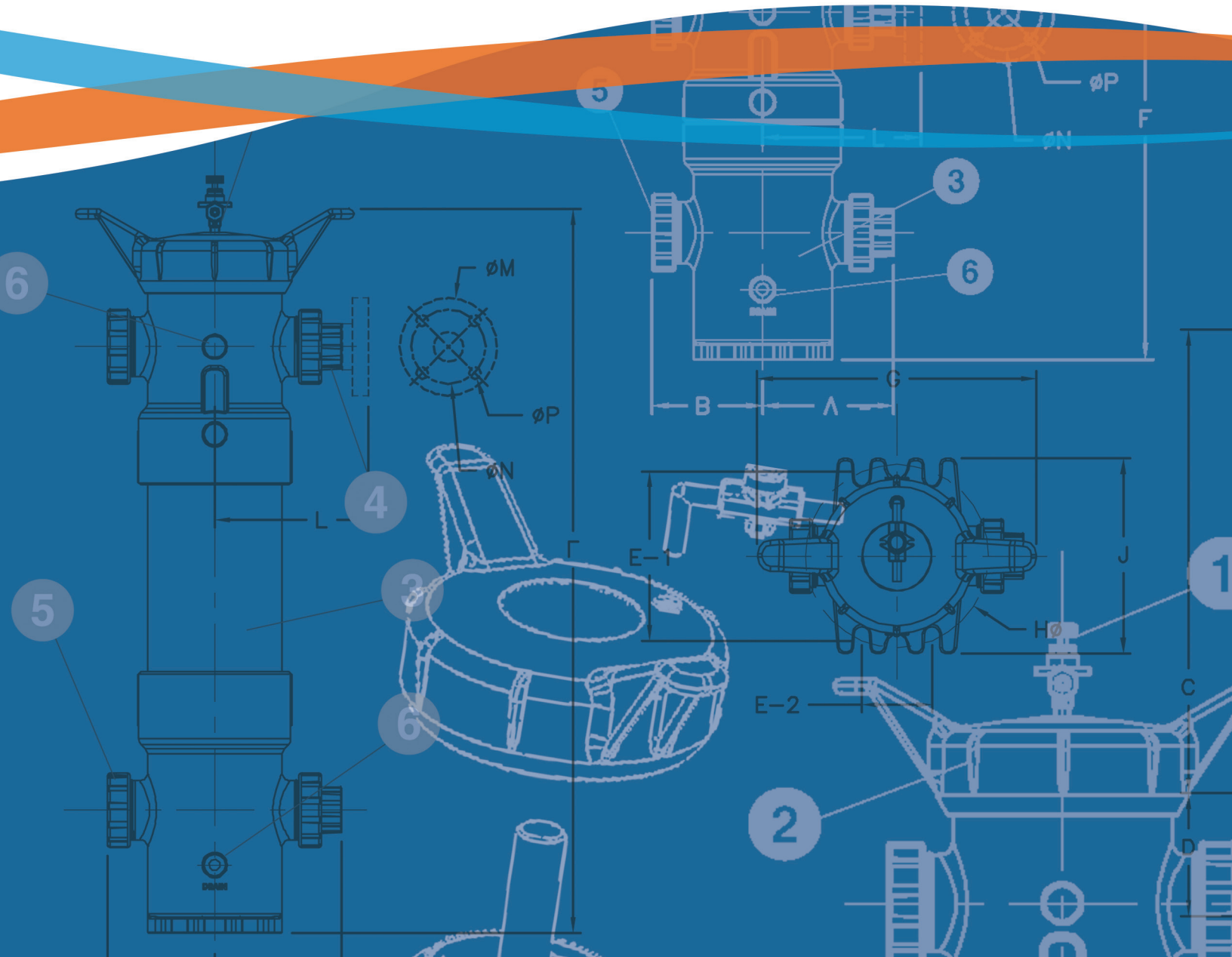
TOTAL PART LIST

- 1. Vent Valve (Included)
- 2. Hayward Bezel
- 3. Cover
- 4. Basket
- 5. Basket O-Ring Seal
- 6. Bag Retainer
- 7. Cover O-Ring
- 8. Filter Body
- 9. End Cap
- 10. End Connector O-Ring
- 11. End Connector
- 12. Assembly Nut
- 13. Integrally Molded Mounting Pad



[www.monarchindustrial.com.au](http://www.monarchindustrial.com.au)

[www.monarchasiapacific.com.au](http://www.monarchasiapacific.com.au)



Hayward is a registered trademark of Hayward Industries, Inc. © 2016 Hayward Industries, Inc.

C/PVC-FLV0216