

NEW PRODUCT PREVIEW

WCV Series Full Pattern Large Diameter Wafer Check Valves

10" & 12" PVC AND CPVC

KEY FEATURES

- Robust Full Pattern Body
- Available in PVC and CPVC
- No Special Spacers or Flanges Required
- High Cv Rating, Saves on Energy and Pump Wear
- Contoured Inlet Port for Reduced Head Loss
- One-Piece Disc and Shaft Design
- Lower Closing Pressure than Swing Check Valves
- Integral Bolt Eyes and Hand Grip for Ease of Installation
- Can be Installed in Vertical or Horizontal Position
- Pressure Rated to 150 PSI/PN10 in All Sizes

OPTIONS

- 316 Stainless Steel or Hastelloy® Disc Spring

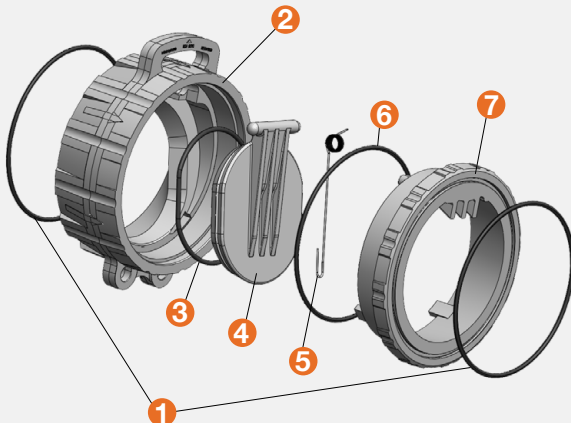
MATERIALS

- PVC per ASTM D1784 Cell Class 12454
- CPVC per ASTM D1784 Cell Class 23447
- FPM or EPDM Body and Disc Seals


TECHNICAL INFORMATION
SELECTION CHART

SIZE	MATERIAL	END CONNECTION	O-RING	SPRING	PRESSURE RATING
10" – 12"* (DN250 only)	PVC and CPVC	Wafer	FPM or EPDM	316 SS, Hastelloy®	150 PSI @ 70°F 10 Bar @ 21°C Non-Shock

*10" / DN250 suitable for use with both ANSI Class 150 and DIN / EN PN10 flanges


OPENING / SEALING PRESSURE - PSI

SIZE	OPENING PRESSURE	SEALING PRESSURE
	WITH SPRING	WITH OR WITHOUT SPRING
10" – 12" (DN250 only)	0.5	3.0

"Patented" Pat. No: 8,887,757 and Other Patents Pending

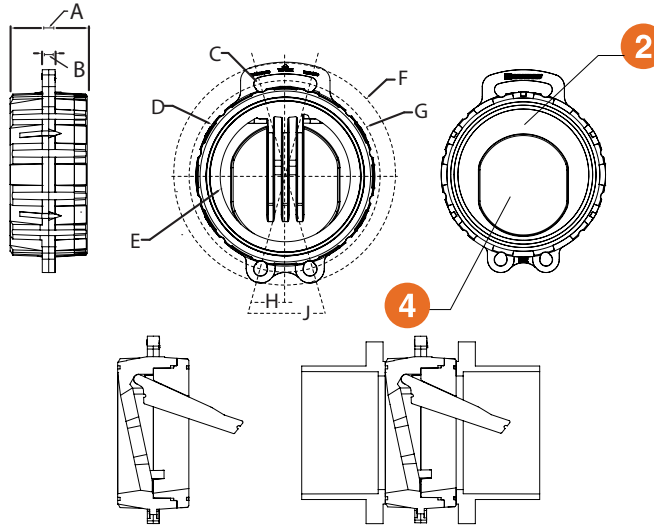
WCV Series Full Pattern Large Diameter Wafer Check Valves

10" & 12" PVC AND CVPC

TECHNICAL INFORMATION, CONTINUED

PARTS LIST

1. Face Seal O-Ring
2. Body
3. Wafer Disc O-Ring
4. Wafer Disc
5. Wafer Disc Spring
6. Body O-Ring
7. Retainer Ring

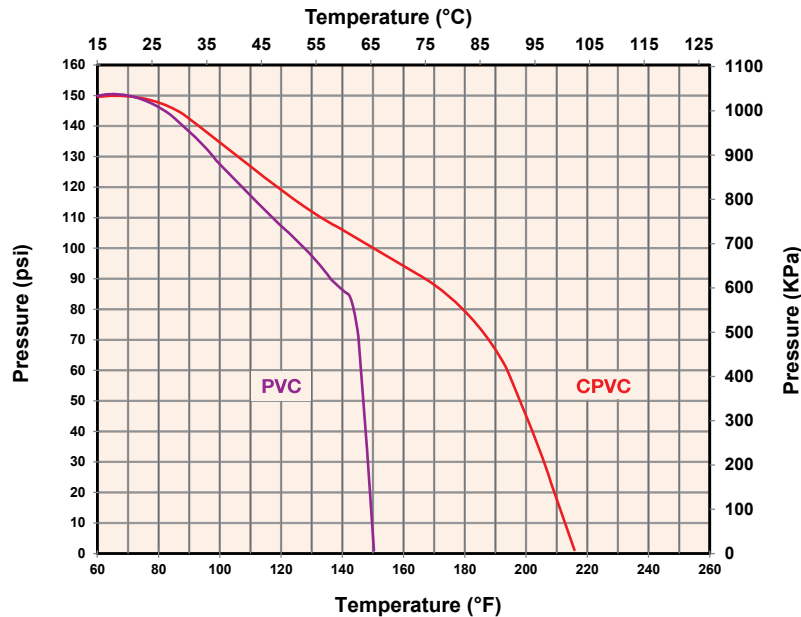


DIMENSIONS

SIZE in / DN	A in / mm	B in / mm	C in / mm	D in / mm	E in / mm	F in / mm	G in / mm	H Degree°	J Degree°
10 / 250	6.25 / 158.75	1.04 / 26.42	1.00 / 25.40	13.22 / 335.79	9.70 / 246.38	17.00 / 431.80	14.25 / 361.95	15	30
12	7.50 / 190.50	1.25 / 31.75	1.00 / 25.40	16.00 / 406.40	11.70 / 297.18	20.00 / 508.00	17.00 / 431.80	15	30

Pressure Rating for ALL Sizes – 150 PSI / 10 Bar @ 70°F / 21°C Non-Shock
10" / DN250 suitable for use with both ANSI Class 150 and DIN / EN PN10 flanges

OPERATING TEMPERATURE/PRESSURE



Cv VALUES

SIZE in / DN	Cv VALUES
10 / 250	2249
12	3164

PRESSURE LOSS CALCULATION FORMULA

$$\Delta P = \left[\frac{Q}{C_v} \right]^2$$

ΔP = Pressure Drop

Q = Flow in GPM

Cv = Flow Coefficient



Hayward is a registered trademark
of Hayward Industries, Inc.
© 2023 Hayward Industries, Inc.

USA: 1.888.429.4635 • Fax: 1.888.778.8410 • One Hayward Industrial Drive • Clemmons, NC 27012 • Email: hfcsales@hayward.com

Canada: 1.888.238.7665 • Fax: 1.905.829.3636 • 2880 Plymouth Drive • Oakville, ON L6H 5R4 • Email: hflowcanada@hayward.com

Visit us at: haywardflowcontrol.com

Authorised Distributor of Hayward Flow Control, a Division of Hayward Industries, Inc

Hayward Flow Control has been a leading manufacturer of industrial thermoplastic valves and process control products for more than 60 years. In fact, Hayward was one of the originators of the first thermoplastic ball valves. Since then, we have remained committed to producing the highest quality products while providing outstanding service.

Liquid Filters and Strainers



Bag Filter vessel

- GFPP
- PVC
- CPVC



Y Strainers

- PVC
- CPVC
- Clear PVC
- PVDF



Simplex Strainers

- PVC
- CPVC
- GFPP
- PVDF
- Eastar® (Clear)



Duplex Strainers

- PVC
- CPVC
- GFPP
- Eastar® (Clear)

Valves and Flow Control



Ball Valves

- PVC
- CPVC
- GFPP
- PVDF



Check Valves

- Ball Check Valves
- Y-Check Valves
- Wafer Check Valves
- Swing Check Valves



Pressure & Chemfeed

- Injection Quills
- Back Pressure
- Pressure Relief
- Diaphragm Valves
- Needle Valves
- Angle Globe Valves



Butterfly Valves

- PVC
- CPVC
- GFPP
- PP
- PVDF



Actuation

- Electric
- Pneumatic



Solenoid Valves

- PVC
- CPVC
- PVDF



Australia

Monarch Asia Pacific Pty Ltd
Unit 3
8 Bult Drive
Brendale, QLD 4500

Phone : +61 (0) 7 3889 9949

www.monarcindustrial.com.au



Thailand

PSF Equipment (Thailand) Co Ltd
11 Soi Suanphak 42
Suanphak Road, Chimphi
Talingchan, Bangkok 10170

Phone : +66 (0) 2 882 5512
Fax No: +66 (0) 2 424 3725

www.psfthailand.com