



## WCV Series Full Pattern Wafer Check Valves

2" TO 8" PVC AND CPVC

### KEY FEATURES

- Robust Full Pattern Body
- Available in PVC and CPVC
- No Special Spacers or Flanges Required
- High Cv Rating, Saves on Energy and Pump Wear
- FPM or EPDM Gasket and Face Seal
- One-Piece Disc and Shaft Design
- Designed for ANSI150 and PN10 Flanges\*
- Contoured Inlet Port for Reduced Head Loss
- Lower Closing Pressure than Swing Check Valves
- Integral Bolt Eyes for Ease of Installation for Large Sizes (4" - 8")
- Can be Installed in Vertical or Horizontal Position
- Pressure Rated to 150 PSI/PN10 in All Sizes

### OPTIONS

- 316 Stainless Steel or Hastelloy® Disc Spring

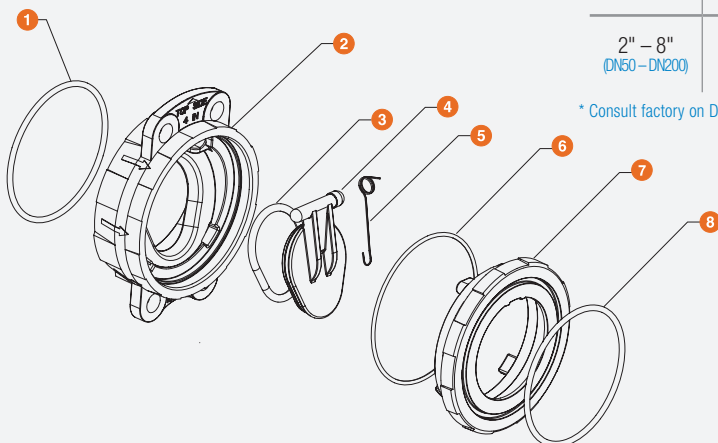
### MATERIALS

- PVC per ASTM D1784 Cell Class 12454
- CPVC per ASTM D1784 Cell Class 23447
- FPM and EPDM Gasket and Disc Seals

\* Patent No. 8,887,757

## TECHNICAL INFORMATION

### EXPLODED VIEW



### SELECTION CHART

SIZE	MATERIAL	END CONNECTION	O-RING	SPRING	PRESSURE RATING
2" – 8" (DN50 – DN200)	PVC and CPVC	Wafer	FPM or EPDM	316 SS, Hastelloy®	150 PSI @ 70°F 10 Bar @ 21°C Non-Shock

\* Consult factory on DN100 Size

### OPENING / SEALING PRESSURE - PSI

SIZE	OPENING PRESSURE WITH SPRING	SEALING PRESSURE WITH OR WITHOUT SPRING
2" – 8" (DN50 – DN200)	0.5	0.3

"Patented" Pat. No.: 8,887,757

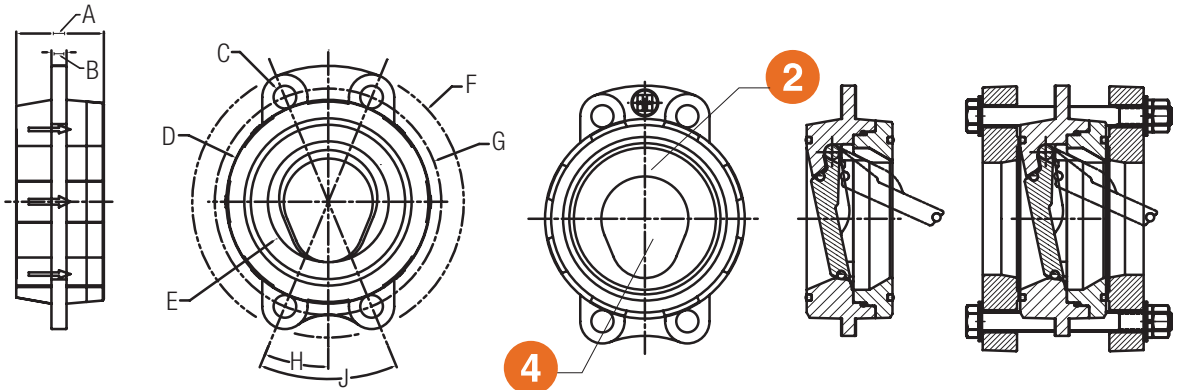
# WCV Series Full Pattern Wafer Check Valves

2" TO 8" PVC AND CVPC

## TECHNICAL INFORMATION, CONTINUED

### PARTS LIST

1. Face Seal O-Ring
2. Body
3. Wafer Disc O-Ring
4. Wafer Disc
5. Wafer Disc Spring
6. Body O-Ring
7. Body
8. Face Seal O-Ring



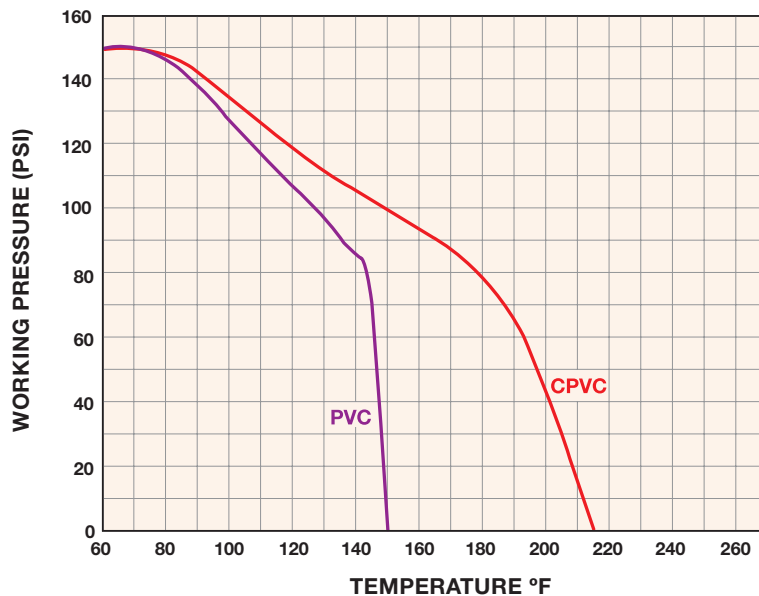
### DIMENSIONS

SIZE in / DN	A in / mm	B in / mm	C in / mm	D in / mm	E in / mm	F in / mm	G in / mm	H in / mm	J in / mm
2 / 50	1.80 / 45	.25 / 6	—	4.00 / 101	2.03 / 51	5.25 / 133	—	—	—
2-1/2 / 65	2.30 / 58	.25 / 6	—	4.75 / 120	2.43 / 61	6.00 / 152	—	—	—
3 / 80	2.40 / 61	.25 / 6	—	5.25 / 133	3.00 / 76	6.50 / 165	—	—	—
4 / 100	2.90 / 73	.50 / 12	.75 / 19	6.75 / 171	4.00 / 101	9.00 / 228	.75 / 190	22.50 / 572	45.00 / 1143
6 / 150	3.00 / 76	.50 / 12	.88 / 22	8.63 / 219	5.77 / 146	11.13 / 282	9.50 / 241	22.50 / 572	45.00 / 1143
8 / 200	4.93 / 125	.75 / 19	.95 / 24	10.88 / 276	7.63 / 193	13.38 / 339	11.75 / 298	22.50 / 572	45.00 / 1143

Pressure Rating for ALL Sizes – 150 PSI @ 70°F Non-Shock  
Consult Hayward for DN100 Wafer Check Dimension

\*\*\*Sealing Pressure of 3psi (with or without spring)

### OPERATING TEMPERATURE/PRESSURE



### Cv VALUES

SIZE in / DN	Cv VALUES
2 / 50	93
2-1/2 / 65	144
3 / 80	87
4 / 100	346
6 / 150	848
8 / 200	1643

### PRESSURE LOSS CALCULATION FORMULA

$$\Delta P = \left[ \frac{Q}{C_v} \right]^2$$

$\Delta P$  = Pressure Drop

Q = Flow in GPM

Cv = Flow Coefficient



Hayward is a registered trademark  
of Hayward Industries, Inc.  
© 2021 Hayward Industries, Inc.

USA: 1.888.429.4635 • Fax: 1.888.778.8410 • One Hayward Industrial Drive • Clemmons, NC 27012 • Email: hfcsales@hayward.com

Canada: 1.888.238.7665 • Fax: 1.905.829.3636 • 2880 Plymouth Drive • Oakville, ON L6H 5R4 • Email: hfcanada@hayward.com

Visit us at: haywardflowcontrol.com

## Authorised Distributor of Hayward Flow Control, a Division of Hayward Industries, Inc

Hayward Flow Control has been a leading manufacturer of industrial thermoplastic valves and process control products for more than 60 years. In fact, Hayward was one of the originators of the first thermoplastic ball valves. Since then, we have remained committed to producing the highest quality products while providing outstanding service.

### Liquid Filters and Strainers



#### Bag Filter vessel

- GFPP
- PVC
- CPVC



#### Y Strainers

- PVC
- CPVC
- Clear PVC
- PVDF



#### Simplex Strainers

- PVC
- CPVC
- GFPP
- PVDF
- Eastar® (Clear)



#### Duplex Strainers

- PVC
- CPVC
- GFPP
- Eastar® (Clear)

### Valves and Flow Control



#### Ball Valves

- PVC
- CPVC
- GFPP
- PVDF



#### Check Valves

- Ball Check Valves
- Y-Check Valves
- Wafer Check Valves
- Swing Check Valves



#### Pressure & Chemfeed

- Injection Quills
- Back Pressure
- Pressure Relief
- Diaphragm Valves
- Needle Valves
- Angle Globe Valves



#### Butterfly Valves

- PVC
- CPVC
- GFPP
- PP
- PVDF



#### Actuation

- Electric
- Pneumatic



#### Solenoid Valves

- PVC
- CPVC
- PVDF



Australia

Monarch Asia Pacific Pty Ltd  
Unit 3  
8 Bult Drive  
Brendale, QLD 4500

Phone : +61 (0) 7 3889 9949

[www.monarcindustrial.com.au](http://www.monarcindustrial.com.au)



Thailand

PSF Equipment (Thailand) Co Ltd  
11 Soi Suanphak 42  
Suanphak Road, Chimphi  
Talingchan, Bangkok 10170

Phone : +66 (0) 2 882 5512  
Fax No: +66 (0) 2 424 3725

[www.psfthailand.com](http://www.psfthailand.com)