



TB Series True Union Ball Valves

1/4" TO 3/8" PVC AND
1/2" TO 2" PVC, CPVC AND GFPP

KEY FEATURES

- Available in PVC, CPVC and GFPP
- Full Port Design
- Reversible PTFE Seats
- Double O-Ring Stem Seals
- Easily Actuated
- NSF / ANSI 61 and NSF / ANSI 372 Listed

OPTIONS

- Pneumatic and Electric Actuators

MATERIALS

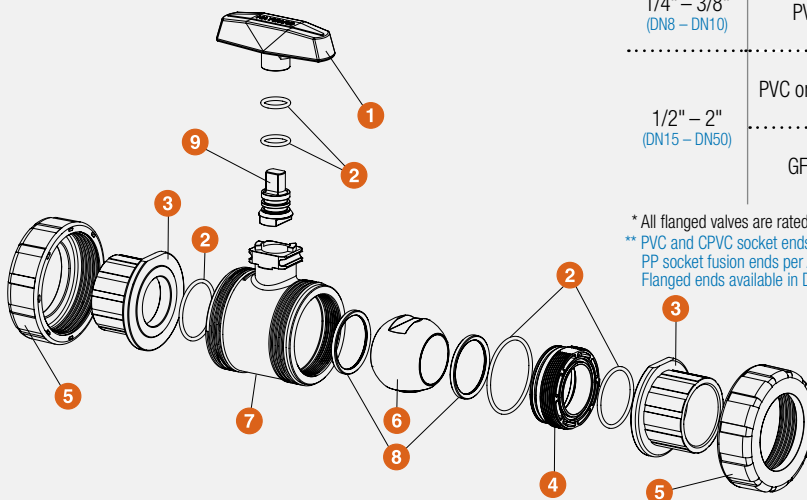
- PVC Cell Class 12454 per ASTM D1784
- CPVC Cell Class 23447 per ASTM D1784
- GFPP Cell Class 85580 per ASTM D4101
- FPM and EPDM O-Ring Seals



Certified to
NSF/ANSI 61 & 372
PVC and CPVC

TECHNICAL INFORMATION

EXPLODED VIEW



SELECTION CHART

SIZE	MATERIAL	END CONNECTION	SEALS	PRESSURE RATING
1/4" – 3/8" (DN8 – DN10)	PVC	Socket and Threaded	FPM or EPDM	250 PSI @ 70°F 16 Bar @ 21°C Non-Shock
1/2" – 2" (DN15 – DN50)	PVC or CPVC	Socket and Threaded or Flanged*		
	GFPP	Threaded, Socket Fusion or Flanged	150 PSI @ 70°F 10 Bar @ 21°C Non-Shock	

* All flanged valves are rated to 150 PSI @ 70°F Non-Shock (10 Bar @ 21°C)
** PVC and CPVC socket ends available to ISO 727-1 and threaded ends to BS21.
PP socket fusion ends per ASTM F2389 and threaded ends per BS21.
Flanged ends available in DIN / EN PN10.

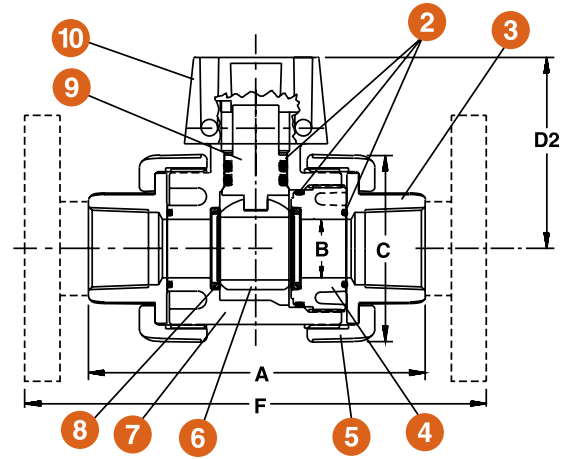
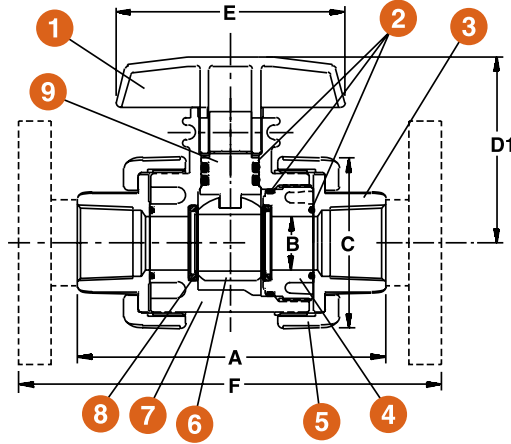
TB Series True Union Ball Valves

1/4" TO 2" PVC, CPVC AND GFPP

TECHNICAL INFORMATION, CONTINUED

PARTS LIST

1. Handle
 2. O-Ring Seals
 3. End Connector
 4. Seal Retainer
 5. Union Nut
 6. Ball
 7. Body
 8. PTFE Seat
 9. Stem
 10. Actuator Mounting Pad
- * Mounting bracket sold separately



DIMENSIONS

SIZE in / DN	A in / mm	B in / mm	C in / mm	D1 in / mm	D2 in / mm	E in / mm	F in / mm	WEIGHT lbs / kg	
								SOC / THD	FLANGED
1/4 / 8	4.77 / 121	.50 / 13	2.25 / 57	2.81 / 71	2.63 / 67	3.50 / 89	N/A	.75 / .34	N/A
3/8 / 10	4.77 / 121	.50 / 13	2.25 / 57	2.81 / 71	2.63 / 67	3.50 / 89	N/A	.75 / .34	N/A
1/2 / 15*	4.77 / 121	.50 / 13	2.25 / 57	2.81 / 71	2.63 / 67	3.50 / 89	6.75 / 171	.75 / .34	1.00 / .45
3/4 / 20*	4.85 / 123	.75 / 19	2.63 / 67	3.02 / 77	2.81 / 71	3.50 / 89	7.13 / 181	.75 / .34	1.00 / .45
1 / 25*	5.44 / 138	.93 / 24	3.00 / 76	3.26 / 83	3.05 / 77	4.00 / 102	8.09 / 205	1.15 / .52	2.15 / .98
1-1/4 / 32*	6.30 / 160	1.50 / 38	4.00 / 102	3.92 / 100	3.48 / 88	5.00 / 127	9.19 / 233	2.15 / .98	3.50 / 1.59
1-1/2 / 40*	6.85 / 174	1.50 / 38	4.00 / 102	3.92 / 100	3.48 / 88	5.00 / 127	9.88 / 251	2.15 / .98	3.75 / 1.70
2 / 50*	8.00 / 203	1.94 / 49	4.75 / 121	4.43 / 113	4.00 / 102	5.00 / 127	11.4 / 290	3.80 / 1.72	6.30 / 2.86

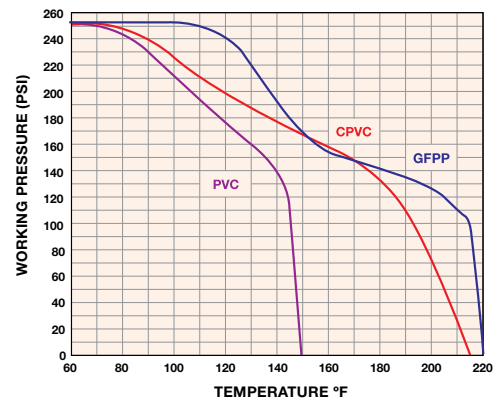
Dimensions are subject to change without notice – consult factory for installation information

* Metric End Connections Available In: BSP – Straight Thread, BSP TR – Tapered Thread and Metric Socket

Cv VALUES

SIZE in / DN	Cv VALUES	SIZE in / DN	Cv VALUES	PRESSURE LOSS CALCULATION FORMULA
1/4 / 8	1.0	1 / 25	29.0	
3/8 / 10	2.8	1-1/4 / 32	75.0	
1/2 / 15	8.0	1-1/2 / 40	90.0	
3/4 / 20	16.0	2 / 50	150.0	

OPERATING TEMPERATURE/PRESSURE



Hayward is a registered trademark
of Hayward Industries, Inc.
© 2022 Hayward Industries, Inc.

USA: 1.888.429.4635 • Fax: 1.888.778.8410 • One Hayward Industrial Drive • Clemmons, NC 27012 • Email: hfcsales@hayward.com

Canada: 1.888.238.7665 • Fax: 1.905.829.3636 • 2880 Plymouth Drive • Oakville, ON L6H 5R4 • Email: hflowcanada@hayward.com

Visit us at: haywardflowcontrol.com

Authorised Distributor of Hayward Flow Control, a Division of Hayward Industries, Inc

Hayward Flow Control has been a leading manufacturer of industrial thermoplastic valves and process control products for more than 60 years. In fact, Hayward was one of the originators of the first thermoplastic ball valves. Since then, we have remained committed to producing the highest quality products while providing outstanding service.

Liquid Filters and Strainers



Bag Filter vessel

- GFPP
- PVC
- CPVC



Simplex Strainers

- PVC
- CPVC
- GFPP
- PVDF
- Eastar® (Clear)



Y Strainers

- PVC
- CPVC
- Clear PVC
- PVDF



Duplex Strainers

- PVC
- CPVC
- GFPP
- Eastar® (Clear)

Valves and Flow Control



Ball Valves

- PVC
- CPVC
- GFPP
- PVDF



Butterfly Valves

- PVC
- CPVC
- GFPP
- PP
- PVDF



Check Valves

- Ball Check Valves
- Y-Check Valves
- Wafer Check Valves
- Swing Check Valves



Actuation

- Electric
- Pneumatic



Pressure & Chemfeed

- Injection Quills
- Back Pressure
- Pressure Relief
- Diaphragm Valves
- Needle Valves
- Angle Globe Valves



Solenoid Valves

- PVC
- CPVC
- PVDF



Australia

Monarch Asia Pacific Pty Ltd
Unit 3
8 Bult Drive
Brendale, QLD 4500

Phone : +61 (0) 7 3889 9949

www.monarcindustrial.com.au



Thailand

PSF Equipment (Thailand) Co Ltd
11 Soi Suanphak 42
Suanphak Road, Chimphi
Talingchan, Bangkok 10170

Phone : +66 (0) 2 882 5512
Fax No: +66 (0) 2 424 3725

www.psfthailand.com