



## SW Series Swing Check Valves

3" TO 6" PVC, CPVC AND GFPP  
AND 8" PVC AND GFPP

### KEY FEATURES

- Available in PVC, CPVC and GFPP
- High Temperature/Pressure Ratings
- Horizontal or Vertical Installation
- Two-in-One Seat Design
- Built-in Flange Seals
- Two Drain Ports
- Self-Aligning Clapper Seals
- High Cv Rating and Full Flow Design

### OPTIONS

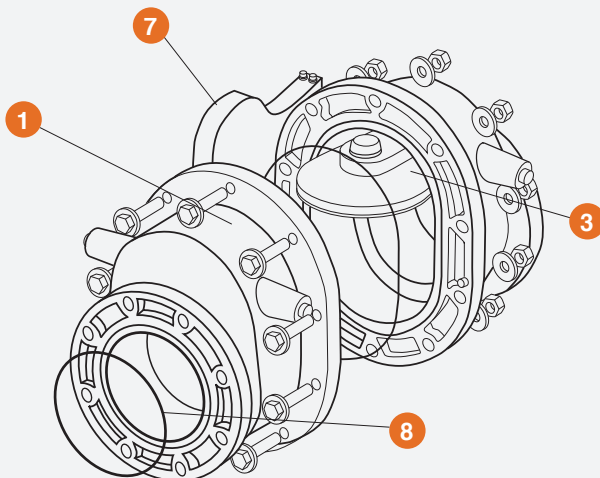
- Counterweight for Closing Assistance
- Limit Switch for Position Indication

### MATERIALS

- PVC Cell Class 12454 per ASTM D1784
- CPVC Cell Class 23447 per ASTM D1784
- GFPP Cell Class 85580 per ASTM D4101
- FPM and EPDM O-Ring Seals

## TECHNICAL INFORMATION

### EXPLODED VIEW



### SELECTION CHART

SIZE	MATERIAL	END CONNECTION	SEALS	PRESSURE RATING
3" – 6" (DN80 – DN150)	PVC, CPVC or GFPP	Flanged	FPM or EPDM	150 PSI @ 70°F 10 Bar @ 21°C Non-Shock
8" (DN200)	PVC or GFPP			

\* Flanged ends available in DIN / EN PN10.

# SW Series Swing Check Valves

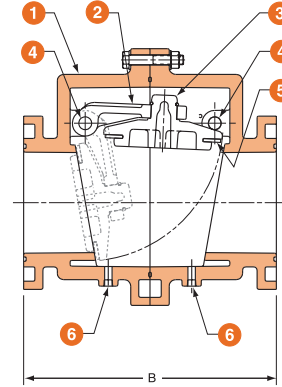
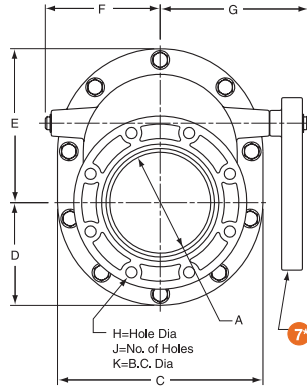
3" TO 6" PVC, CPVC AND GFPP AND 8" PVC AND GFPP

## TECHNICAL INFORMATION, CONTINUED

### PARTS LIST

1. Body
2. Swing Arm
3. Clapper
4. Shaft\*
5. Body Seal
6. Drain Plug (2)
7. Counter Weight (Optional)
8. O-Ring Face Seal

\* PVC with PVC valves  
 PVDF with GFPP Valves  
 CPVC with CPVC valves



### DIMENSIONS

SIZE in / DN	A in / mm	B in / mm	C in / mm	D in / mm	E in / mm	F in / mm	G in / mm	H in / mm	J in / mm	K in / mm	MINIMUM BACK PRESSURE TO CLOSE - PSI	WEIGHT lbs / kg
3 / 80	3.00 / 76	10.24 / 260	7.50 / 191	3.75 / 95	5.21 / 132	3.90 / 99	4.91 / 125	.62 / 16	4.00 / 102	6.00 / 152	3	10.00 / 4.54
4 / 100	3.90 / 99	11.81 / 300	9.25 / 235	4.63 / 118	6.75 / 171	4.80 / 122	6.15 / 156	.62 / 16	8.00 / 203	7.50 / 191	3	21.00 / 9.53
6 / 150	5.91 / 150	15.75 / 400	12.75 / 324	6.38 / 162	9.25 / 235	6.47 / 164	8.30 / 211	.75 / 19	8.00 / 203	9.50 / 241	3	47.00 / 21.32
8 / 200	7.87 / 200	19.69 / 500	16.00 / 406	8.00 / 203	12.00 / 305	8.96 / 228	11.54 / 293	.75 / 19	8.00 / 203	11.75 / 298	3	90.00 / 40.82

Dimensions are subject to change without notice – consult factory for installation information

### Cv VALUES

SIZE in / DN	Cv VALUES	SIZE in / DN	Cv VALUES
3 / 80	328	6 / 150	1,278
4 / 100	514	8 / 250	2,549

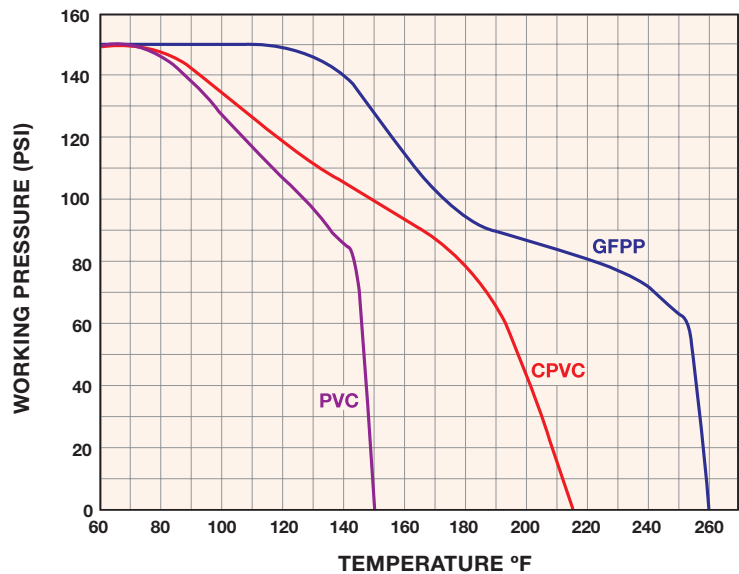
### PRESSURE LOSS CALCULATION FORMULA

$$\Delta P = \left[ \frac{Q}{C_v} \right]^2$$

$\Delta P$  = Pressure Drop  
 $Q$  = Flow in GPM  
 $C_v$  = Flow Coefficient

### OPERATING TEMPERATURE/PRESSURE

#### 3" TO 8" SWING CHECK VALVE



Hayward is a registered trademark  
 of Hayward Industries, Inc.  
 © 2021 Hayward Industries, Inc.

**USA:** 1.888.429.4635 • Fax: 1.888.778.8410 • One Hayward Industrial Drive • Clemmons, NC 27012 • Email: hfcsales@hayward.com  
**Canada:** 1.888.238.7665 • Fax: 1.905.829.3636 • 2880 Plymouth Drive • Oakville, ON L6H 5R4 • Email: hfcanada@hayward.com  
 Visit us at: haywardflowcontrol.com

## Authorised Distributor of Hayward Flow Control, a Division of Hayward Industries, Inc

Hayward Flow Control has been a leading manufacturer of industrial thermoplastic valves and process control products for more than 60 years. In fact, Hayward was one of the originators of the first thermoplastic ball valves. Since then, we have remained committed to producing the highest quality products while providing outstanding service.

### Liquid Filters and Strainers



#### Bag Filter vessel

- GFPP
- PVC
- CPVC



#### Y Strainers

- PVC
- CPVC
- Clear PVC
- PVDF



#### Simplex Strainers

- PVC
- CPVC
- GFPP
- PVDF
- Eastar® (Clear)



#### Duplex Strainers

- PVC
- CPVC
- GFPP
- Eastar® (Clear)

### Valves and Flow Control



#### Ball Valves

- PVC
- CPVC
- GFPP
- PVDF



#### Check Valves

- Ball Check Valves
- Y-Check Valves
- Wafer Check Valves
- Swing Check Valves



#### Pressure & Chemfeed

- Injection Quills
- Back Pressure
- Pressure Relief
- Diaphragm Valves
- Needle Valves
- Angle Globe Valves



#### Butterfly Valves

- PVC
- CPVC
- GFPP
- PP
- PVDF



#### Actuation

- Electric
- Pneumatic



#### Solenoid Valves

- PVC
- CPVC
- PVDF



Australia

Monarch Asia Pacific Pty Ltd  
Unit 3  
8 Bult Drive  
Brendale, QLD 4500

Phone : +61 (0) 7 3889 9949

[www.monarcindustrial.com.au](http://www.monarcindustrial.com.au)



Thailand

PSF Equipment (Thailand) Co Ltd  
11 Soi Suanphak 42  
Suanphak Road, Chimphi  
Talingchan, Bangkok 10170

Phone : +66 (0) 2 882 5512  
Fax No: +66 (0) 2 424 3725

[www.psfthailand.com](http://www.psfthailand.com)