

## SLC Series Spring-Loaded Y-Check Valves

1/2" TO 4" PVC

### KEY FEATURES

- Available in PVC
- Full Flow Design
- Closes with No Back Pressure
- Adjustable – Opens From 2 to 15 PSI
- Easy Maintenance
- Opens in Any Position

### OPTIONS

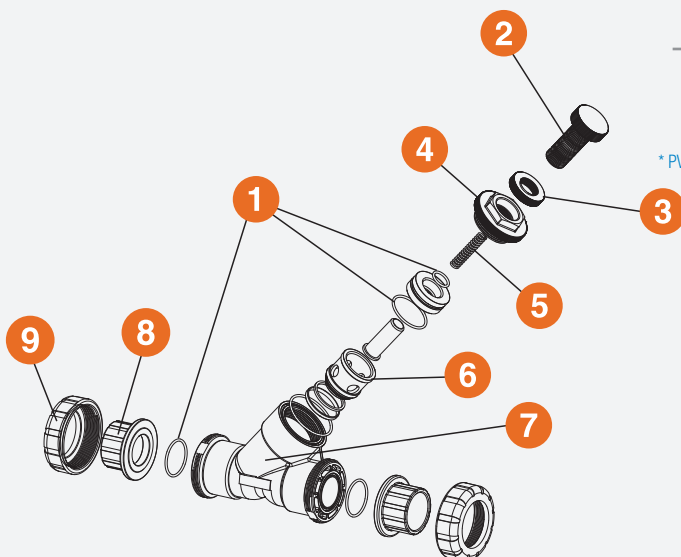
- True Union End Connections

### MATERIALS

- PVC Cell Class 12454 per ASTM D1784
- FPM and EPDM O-Ring Seals

## TECHNICAL INFORMATION

### EXPLODED VIEW



### SELECTION CHART

SIZE	MATERIAL	END CONNECTION	SEALS	PRESSURE RATING
1/2" – 4" (DN15 – DN100)	PVC	Socket, Threaded or True Union	FPM or EPDM	150 PSI @ 70°F 10 Bar @ 21°C Non-Shock

\* PVC and CPVC socket ends available to ISO 727-1 and threaded ends to BS21.

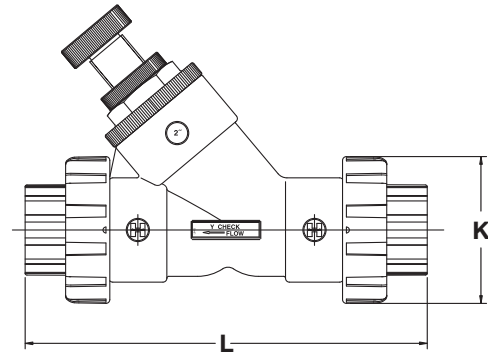
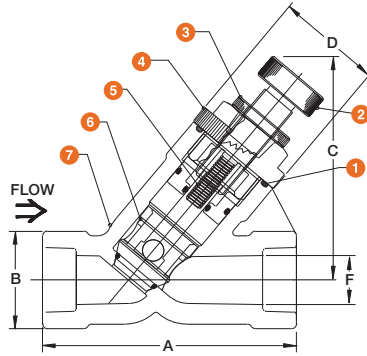
# SLC Series Spring-Loaded Y-Check Valves

1/2" TO 4" PVC

## TECHNICAL INFORMATION, CONTINUED

### PARTS LIST

1. O-Ring Seal
2. Adjustment Screw
3. Lock Nut
4. Hex Cap
5. Spring
6. Cartridge Assembly
7. Body
8. End Connector (True Union)
9. Assembly Nut (True Union)

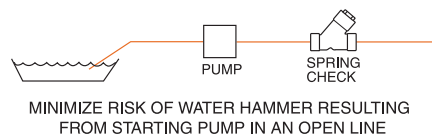
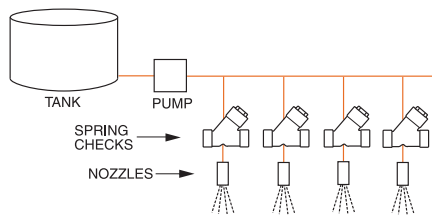
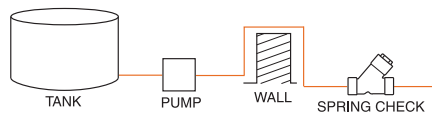


### DIMENSIONS

SIZE in / DN	A in / mm	B in / mm	C in / mm	D in / mm	F in / mm	K in / mm	L in / mm	WEIGHT lbs / kg SOC / THD
1/2 / 15	6.19 / 158	2.00 / 51	4.58 / 116	2.13 / 54	1.00 / 25	2.25 / 57	6.64 / 169	0.88 / 0.40
3/4 / 20	6.19 / 158	2.00 / 51	4.58 / 116	2.13 / 54	1.00 / 25	2.63 / 67	7.42 / 188	0.88 / 0.40
1 / 25	5.19 / 132	2.00 / 51	4.58 / 116	2.13 / 54	1.00 / 25	3.00 / 76	8.97 / 228	0.88 / 0.40
1-1/2 / 40	8.63 / 219	3.38 / 86	7.28 / 185	3.75 / 95	2.00 / 51	4.75 / 121	12.07 / 307	3.00 / 1.36
2 / 50	7.63 / 194	3.38 / 86	7.28 / 185	3.75 / 95	2.00 / 51	4.75 / 121	13.05 / 331	3.00 / 1.36
3 / 80	10.31 / 262	4.69 / 119	8.88 / 226	5.25 / 133	2.94 / 75	6.40 / 163	16.77 / 426	7.50 / 3.40
4 / 100	12.75 / 324	5.75 / 146	10.08 / 256	6.00 / 152	3.81 / 97	8.56 / 217	21.23 / 539	9.50 / 4.31

Dimensions are subject to change without notice – consult factory for installation information

### TYPICAL APPLICATIONS



### Cv VALUES

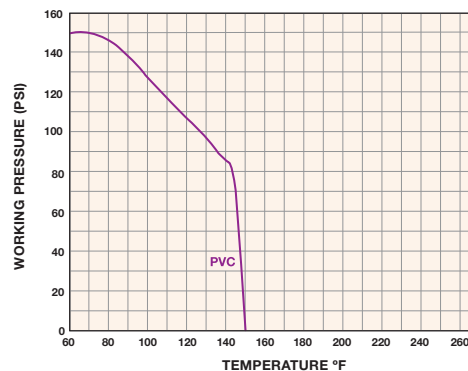
SIZE in / DN	Cv VALUES	SIZE in / DN	Cv VALUES
1/2 / 15	0.8	2 / 50	65.0
3/4 / 20	3.0	3 / 80	110.0
1 / 25	9.0	4 / 100	240.0
1-1/2 / 40	45.0		

### PRESSURE LOSS CALCULATION FORMULA

$$\Delta P = \left[ \frac{Q}{C_v} \right]^2$$

$\Delta P$  = Pressure Drop  
 $Q$  = Flow in GPM  
 $C_v$  = Flow Coefficient

### OPERATING TEMPERATURE/PRESSURE



Hayward is a registered trademark of Hayward Industries, Inc. © 2021 Hayward Industries, Inc.

USA: 1.888.429.4635 • Fax: 1.888.778.8410 • One Hayward Industrial Drive • Clemmons, NC 27012 • Email: hfcsales@hayward.com  
 Canada: 1.888.238.7665 • Fax: 1.905.829.3636 • 2880 Plymouth Drive • Oakville, ON L6H 5R4 • Email: hfcanada@hayward.com  
 Visit us at: haywardflowcontrol.com

## Authorised Distributor of Hayward Flow Control, a Division of Hayward Industries, Inc

Hayward Flow Control has been a leading manufacturer of industrial thermoplastic valves and process control products for more than 60 years. In fact, Hayward was one of the originators of the first thermoplastic ball valves. Since then, we have remained committed to producing the highest quality products while providing outstanding service.

### Liquid Filters and Strainers



#### Bag Filter vessel

- GFPP
- PVC
- CPVC



#### Y Strainers

- PVC
- CPVC
- Clear PVC
- PVDF



#### Simplex Strainers

- PVC
- CPVC
- GFPP
- PVDF
- Eastar® (Clear)



#### Duplex Strainers

- PVC
- CPVC
- GFPP
- Eastar® (Clear)

### Valves and Flow Control



#### Ball Valves

- PVC
- CPVC
- GFPP
- PVDF



#### Check Valves

- Ball Check Valves
- Y-Check Valves
- Wafer Check Valves
- Swing Check Valves



#### Pressure & Chemfeed

- Injection Quills
- Back Pressure
- Pressure Relief
- Diaphragm Valves
- Needle Valves
- Angle Globe Valves



#### Butterfly Valves

- PVC
- CPVC
- GFPP
- PP
- PVDF



#### Actuation

- Electric
- Pneumatic



#### Solenoid Valves

- PVC
- CPVC
- PVDF



Australia

Monarch Asia Pacific Pty Ltd  
Unit 3  
8 Bult Drive  
Brendale, QLD 4500

Phone : +61 (0) 7 3889 9949

[www.monarcindustrial.com.au](http://www.monarcindustrial.com.au)



Thailand

PSF Equipment (Thailand) Co Ltd  
11 Soi Suanphak 42  
Suanphak Road, Chimphi  
Talingchan, Bangkok 10170

Phone : +66 (0) 2 882 5512  
Fax No: +66 (0) 2 424 3725

[www.psfthailand.com](http://www.psfthailand.com)