



ELF-S Filter housing

Accepts 25.4cm(10") / 50.8cm(20")
Code 6 and Double Open End Filter Cartridges

- Operating pressure up to 20 bar permits use in a wide range of applications
- In-line inlet and outlet connections for easy installation
- Quick opening design with rugged cast clamp for fast filter change-out
- Optional mounting brackets available



Specifications

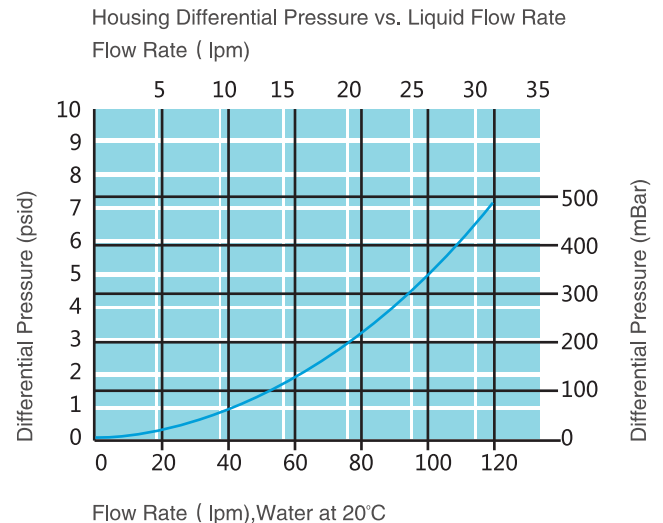
Design Pressure	20 bar
Materials	Head SS304 , SS316L
	Bowl SS304 , SS316L
Connections	Inlet/Outlet 1" NPT, BSP
	Vent 1/4" NPT , BSP
	Drain 1/4" NPT , BSP
Seal Materials	Buna, EPDM, Si.Rubber, FEP/Viton

ELF-S Series Filter Housing is specially designed for low flow rates. With a single die-casted top piece design, the ELF-S in-line filter can be easily connected to the pipeline directly. The filter element can be replaced by only removing the bottom housing, featuring simple maintenance with no leakage. A drain valve is located at the bottom for liquid discharge.

Application

With its user-friendly design, the ELF-S Series Filter Housing is an economical, general purpose filter compatible with a wide range of industrial liquid filtration applications.

Brisbane, Australia
www.monarchindustrial.com.au
www.monarchasiapacific.com.au





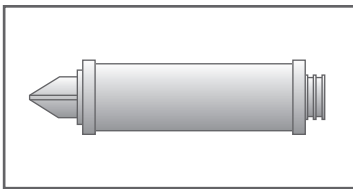
ELF-S Filter housing

Dimensions

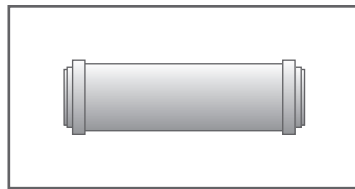
Model	Cartridge Length	L1 (mm)	L2 (mm)	Weight Empty (kg)
ESLCE10***	10	122	380	4.75
ESLCE20***	20	122	634	6

Cartridge Connection

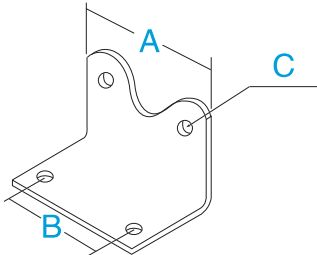
6 – 222 / Fin End



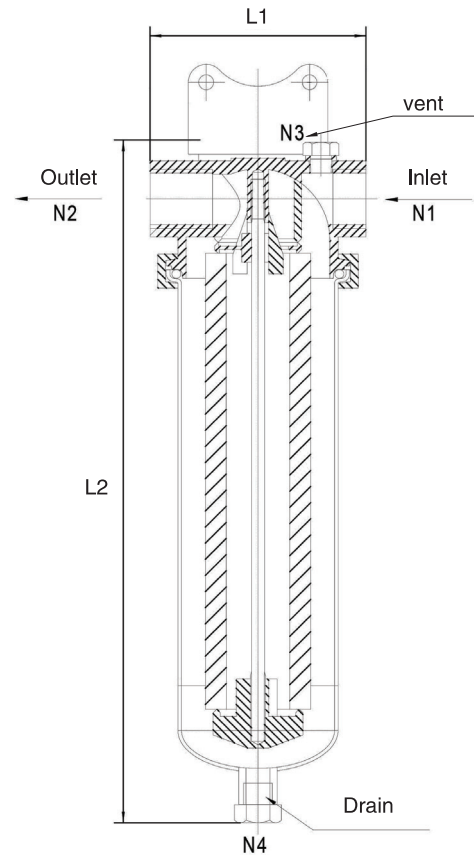
7 – Double Open End



Optional Mounting Bracket



A (mm)	B (mm)	C (mm)
78	42	Φ8



Code

ESLC	E	20	7	D	28	25	B
Model	Material	EL.Length	EL.Connection	Conn.Type	Press.Class	Inlet/Outlet Size	Seal Materials
S-S series	E – SS304 S – SS316L	10 – 10” 20 – 20”	6 – 222 / Fin End 7 – DOE	N – NPT B – BSP	20 – 20bar	25 – 1”	B – Buna E – EPDM F – FEP / Viton S – Si . Rubber

e.g.ESLCE207N2025B

Brisbane, Australia
www.monarchindustrial.com.au
www.monarchasiapacific.com.au