



ELF-D Filter housing

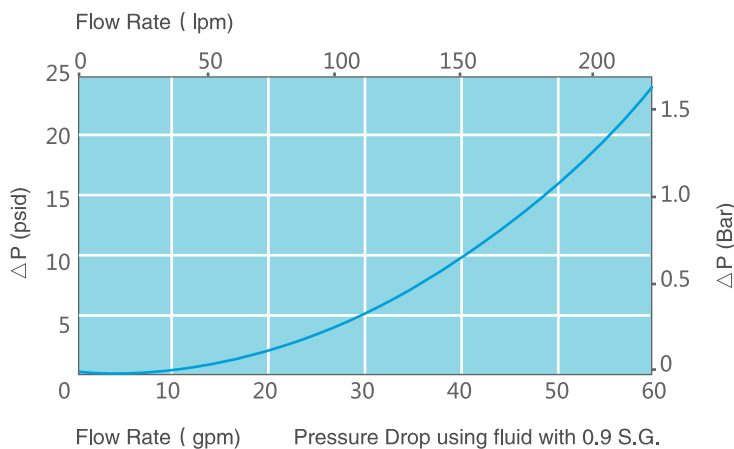
Accepts 25.4cm(10") / 50.8cm(20")

Code 6 and Double Open End Filter Cartridges

- Operating pressure up to 28 bar permits use in a wide range of applications
- In-line inlet and outlet connections for easy installation
- Stainless steel for durability and corrosion resistance

Specifications

| | |
|-----------------|----------------------------------|
| Design Pressure | 28 bar |
| Materials | Head SS304 , SS316L |
| | Bowl SS304 , SS316L |
| Connections | Inlet/Outlet 1" ECO25-PN25 |
| | Vent 1/4" NPT , BSP |
| | Drain 3/4" NPT , BSP |
| Seal Materials | Buna, EPDM, Si.Rubber, FEP/Viton |



Application

- High pressure filtration
- Various industrial applications

Brisbane, Australia
www.monarchindustrial.com.au
www.monarchasiapacific.com.au



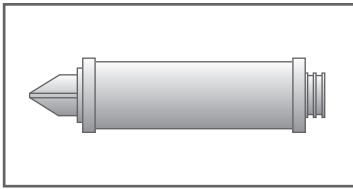
ELF-D Filter housing

Dimensions

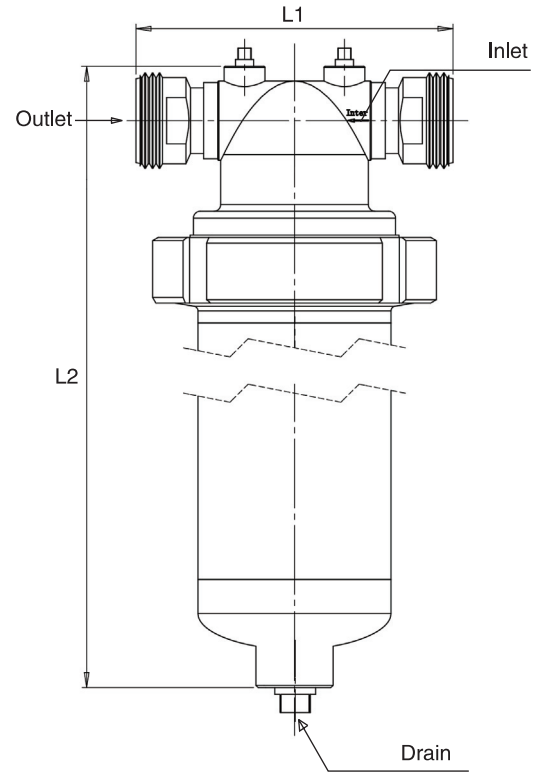
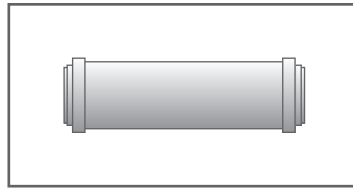
| Model | Cartridge Length | L1 (mm) | L2 (mm) | Weight Empty (kg) |
|------------|------------------|---------|---------|-------------------|
| EDLCE10*** | 10 | 140 | 434 | 5.9 |
| EDLCE20*** | 20 | 140 | 688 | 7.3 |

Cartridge Connection

6 – 222 / Fin End



7 – Double Open End



Code

| EDLC | E | 20 | 7 | D | 28 | 25 | B |
|------------|-------------------------|----------------------|------------------------------|-------------------------------|-------------|-------------------|--|
| Model | Material | EL.Length | EL.Connection | Conn.Type | Press.Class | Inlet/Outlet Size | Seal Materials |
| D-D series | E – SS304 S – SS316L | 10 – 10” 20 – 20” | 6 – 222 / Fin End 7 – DOE | N – NPT B – BSP D – DIN | 28 – 28bar | 25 – 1” | B – Buna E – EPDM F – FEP / Viton S – Si . Rubber |

e.g. EDLCE207D2825B

Brisbane, Australia
www.monarchindustrial.com.au
www.monarchasiapacific.com.au