

SF Series Self-Aligning Bulkhead Fittings

1", 2" AND 3" / DN25-DN80 PVC

KEY FEATURES

- Available in PVC
- Enables Easy Piping Connections to Domed Tanks
- Swivel Ball Connection Corrects for Curved Tanks
- Enables Straight Pipe Connections up to 27° of Offset Angle
- PTFE Ball Seat
- FPM or EPDM Gasket

TECHNICAL INFORMATION

ALTERNATE VIEW



SELECTION CHART

SIZE	MATERIAL	END CONNECTION	GASKETS	PRESSURE RATING
1" 2" and 3" (DN25, DN50 and DN80)	PVC	Thread x Thread	FPM or EPDM	75 PSI @ 70°F Non-Shock

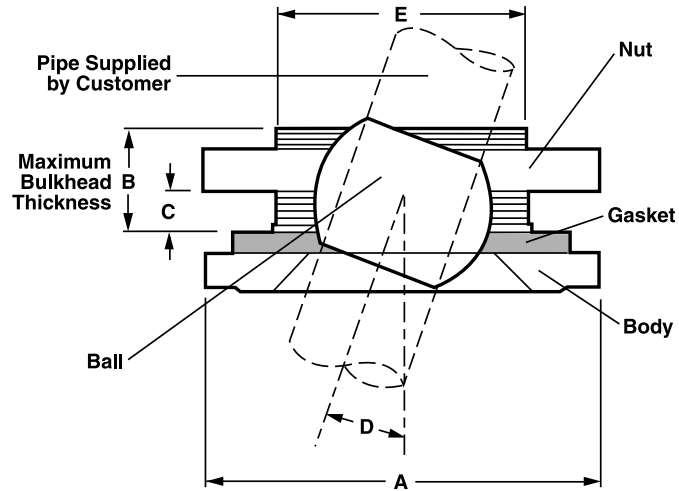
SF Series Self-Aligning Bulkhead Fittings

1", 2" AND 3" / DN25-DN80 PVC

TECHNICAL INFORMATION, CONTINUED

MINIMUM INSIDE DIAMETERS OF TANKS FOR BULKHEAD FITTING INSTALLATION

SIZE in / DN	Min. Rigid Tank ID	Min. Flexible Tank ID
1 / 25	25.75"	19.38"
2 / 50	42.50"	36.25"
3 / 80	90.00"	76.81"

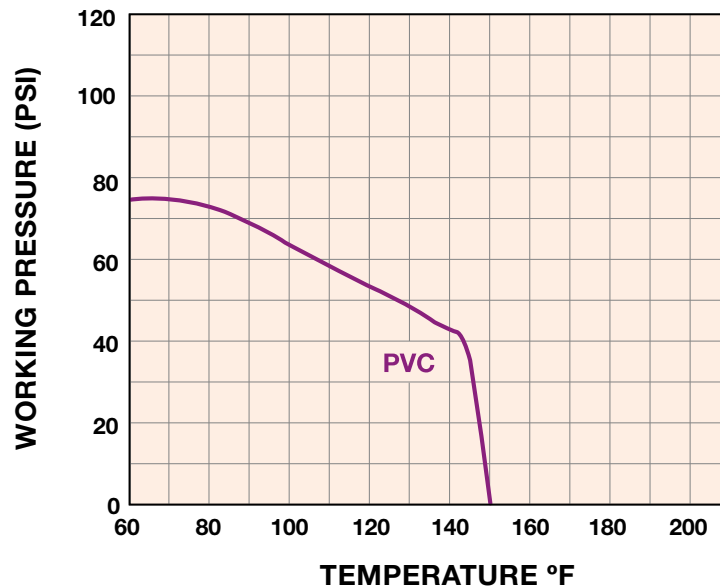


DIMENSIONS

SIZE in / DN	A in / mm	B in / mm	C in / mm	D angle	E in / mm	WEIGHT lbs / kg
1 / 25	4.38 / 111	2.00 / 51	1.25 / 32	27°	3.25 / 83	1.90 / .86
2 / 50	6.00 / 152	2.00 / 51	1.06 / 27	25°	4.50 / 114	4.80 / 2.18
3 / 80	8.75 / 222	2.50 / 64	1.25 / 32	20°	5.75 / 146	11.10 / 5.03

Dimensions are subject to change without notice – consult factory for installation information

OPERATING TEMPERATURE/PRESSURE



Hayward is a registered trademark
of Hayward Industries, Inc.
© 2023 Hayward Industries, Inc.

USA: 1.888.429.4635 • Fax: 1.888.778.8410 • One Hayward Industrial Drive • Clemmons, NC 27012 • Email: hfcsales@hayward.com
Canada: 1.888.238.7665 • Fax: 1.905.829.3636 • 2880 Plymouth Drive • Oakville, ON L6H 5R4 • Email: hflowcanada@hayward.com
Visit us at: haywardflowcontrol.com

Authorised Distributor of Hayward Flow Control, a Division of Hayward Industries, Inc

Hayward Flow Control has been a leading manufacturer of industrial thermoplastic valves and process control products for more than 60 years. In fact, Hayward was one of the originators of the first thermoplastic ball valves. Since then, we have remained committed to producing the highest quality products while providing outstanding service.

Liquid Filters and Strainers



Bag Filter vessel

- GFPP
- PVC
- CPVC



Simplex Strainers

- PVC
- CPVC
- GFPP
- PVDF
- Eastar® (Clear)



Y Strainers

- PVC
- CPVC
- Clear PVC
- PVDF



Duplex Strainers

- PVC
- CPVC
- GFPP
- Eastar® (Clear)

Valves and Flow Control



Ball Valves

- PVC
- CPVC
- GFPP
- PVDF



Butterfly Valves

- PVC
- CPVC
- GFPP
- PP
- PVDF



Check Valves

- Ball Check Valves
- Y-Check Valves
- Wafer Check Valves
- Swing Check Valves



Actuation

- Electric
- Pneumatic



Pressure & Chemfeed

- Injection Quills
- Back Pressure
- Pressure Relief
- Diaphragm Valves
- Needle Valves
- Angle Globe Valves



Solenoid Valves

- PVC
- CPVC
- PVDF



Australia

Monarch Asia Pacific Pty Ltd
Unit 3
8 Bult Drive
Brendale, QLD 4500

Phone : +61 (0) 7 3889 9949

www.monarcindustrial.com.au



Thailand

PSF Equipment (Thailand) Co Ltd
11 Soi Suanphak 42
Suanphak Road, Chimphi
Talingchan, Bangkok 10170

Phone : +66 (0) 2 882 5512
Fax No: +66 (0) 2 424 3725

www.psfthailand.com