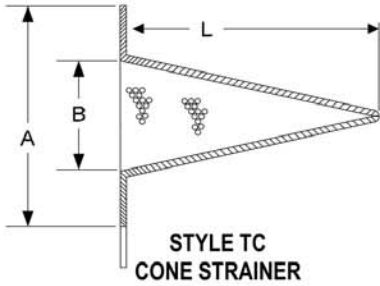


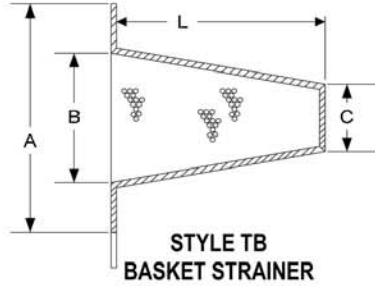
# Style TC, TB & TP

**Fabricated Temporary Cone, Basket & Plate Strainer,  
 150 lb., 300 lb. & 600 lb.**

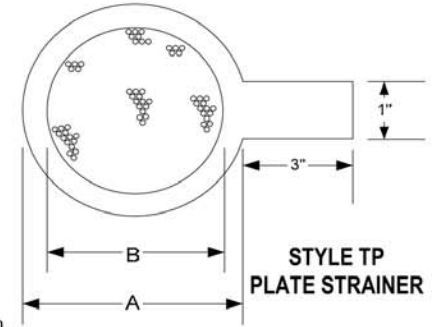
**Carbon Steel & Stainless Steel**



If Mesh Lined  
Specify Flow Direction



14 GA Handle Minimum  
3" Long x 1" wide



Size		A				B		C	
		150 - 300 lb. (std)		600 lb.		All Flange Ratings		All Flange Ratings	
in	mm	in	mm	in	mm	in	mm	in	mm
1-1/2	40	3-1/4	83	3-5/8	92	1-1/4	32	3/4	19
2	50	4	102	4-1/4	108	1-3/4	44	1	25
2-1/2	65	4-3/4	121	5	127	2-1/4	57	1-1/4	32
3	80	5-1/4	133	5-3/4	146	2-3/4	70	1-1/2	38
4	100	6-3/4	171	7-1/2	191	3-3/4	95	2	51
6	150	8-5/8	219	10-3/8	264	5-3/8	137	3	76
8	200	10-7/8	276	12-1/2	318	7-3/8	187	4	102
10	250	13-1/4	337	15-5/8	397	9-3/8	238	5	127
12	300	16	406	17-7/8	454	11	279	6	152
14	350	17-3/8	441	19	483	12-1/4	311	7	178
16	400	20-1/8	511	21-7/8	556	14	356	8	203
18	450	21-1/4	540	23-3/4	603	15-3/4	400	9	229
20	500	23-1/2	597	26-5/8	676	17-1/2	445	10	254
24	600	27-7/8	708	30-7/8	784	21-1/4	540	12	305

Size		L 1/8" PERFORATED 3/16" CENTERS % OPEN AREA COMPARED TO CROSS SECTION SCHEDULE 40 PIPE											
		Cones						Baskets					
		100%		150% (std)		200%		100%		150% (std)		200%	
in	mm	in	mm	in	mm	in	mm	in	mm	in	mm	in	mm
1-1/2	40	3-3/16	81	4	102	5	127	2-3/4	70	2-7/8	73	3	76
2	50	3-1/2	89	6	152	8	203	3	76	3-1/2	89	4	102
2-1/2	65	4-1/16	103	6-1/4	159	8	203	3-3/16	81	3-7/8	98	4-1/2	114
3	80	4-1/4	108	6-3/4	171	9	229	3-1/2	89	3-7/8	98	5-1/2	140
4	100	5	127	10	254	12	305	4	102	5	127	7	178
6	150	7	178	13	330	18	457	6	152	7-3/4	197	11	279
8	200	8-3/16	208	17	432	23	584	6-1/8	156	9-3/4	248	14	356
10	250	12	305	22	559	28	711	7-1/2	191	12-3/8	314	18	457
12	300	13	330	26	660	34	864	9	229	14-3/4	375	20	508
14	350	15	381	27	686	36	914	10	254	15-7/8	403	21	533
16	400	17	432	30	762	40	1016	10	254	18-3/8	467	23	584
18	450	19	483	35	889	46	1168	12	305	20-7/8	530	27	686
20	500	21	533	39	991	51	1295	14	356	23-1/2	597	31	787
24	600	25	635	45	1143	61	1549	16	406	28-3/8	721	37	940