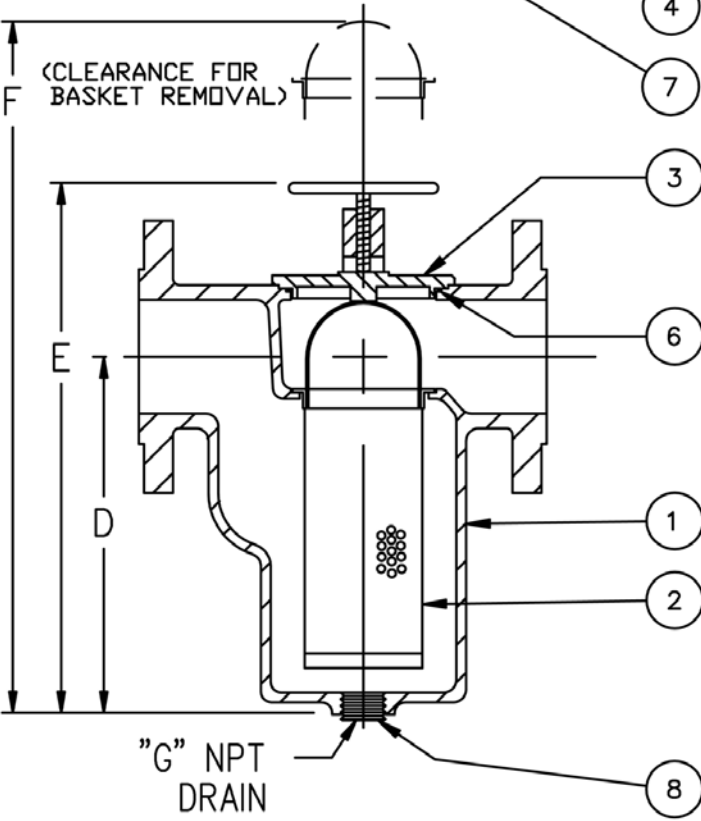


NO.	PART NAME	MATERIAL
1	BODY	CSTL ASTM A216 GR.WCB
2	SCREEN	
	PERF. DIA. MESH	
3	COVER	CSTL ASTM A216 GR.WCB
4	YOKE	DUCTILE IRON
5	YOKE SCREW	STEEL
6	O-RING	BUNA-N
7	STUD	STEEL
8	PIPE PLUG	CARBON STEEL

NOTES:

1. INLET/OUTLET FLANGE CONNECTIONS PER ANSI B16.5.
2. MAX. WORKING PRESSURE: 200 PSI @ 100° F (13.8 BAR @ 37.8° C)



CERTIFIED FOR:

- P. O. NO.:
- REG. NO.:
- QUOTE NO.:
- TAG NO.:

PIPE SIZE (NOMINAL)	DIMENSIONS							WEIGHT (DRY)		PART NO.							
	A		B		C		D		E		F		G (NOM.)		LBS.	KGS.	
	IN.	MM.	IN.	MM.	IN.	MM.	IN.	MM.	IN.	MM.	IN.	MM.	IN.	MM.			
1" (25mm)	7.63	194	4.31	110	4.00	102	5.00	127	8.38	213	12.00	305	1/2	(15)	9	4.1	ST072010BR30A
1-1/2" (40mm)	10.25	260	5.75	146	4.88	124	7.00	178	11.00	279	16.00	406	3/4	(20)	17	7.7	ST072015BR30A

Monarch Asia Pacific - Brisbane, Australia
 web: www.monarchasiapacific.com.au

PSF Equipment - Bangkok, Thailand
 web: www.psfthailand.com

UNAUTHORIZED USE, MANUFACTURE OR REPRODUCTION IN WHOLE OR IN PART IS PROHIBITED.

ELECTRONIC FILE NAME: SD072021.DWG
 REF. ECR 0048172 DATE 09/20/10

		NAME MODEL 72 SIMPLEX STRAINER 150# RAISED FACE FLANGE SIZES 1" & 1-1/2" CARBON STEEL					
		DRAWN FM	DATE 12/2/93	CERT. JQ	DATE 12/2/93		
SIZE A	DWG NO	SD072021				REV D	