

| PIPE SIZE (NOMINAL) IN. | AF±0.13 | | BF | AT±0.13 | | C | | D | | E | | F | | G | | H | | J | | K | | L | | M | | N | | STRAINER WEIGHT LBS. KGS. | PART NO. | | | | |
|-------------------------------|---------|-----|----|---------|-------|-----|------|-----|-------|-----|-------|-----|-------|-----|-------|-----|-------|-----|-------|-----|------|-----|------|-----|------|-----|------|---------------------------------|-------------|------|-----|-----|---------------|
| | IN. | MM. | | IN. | MM. | IN. | MM. | IN. | MM. | IN. | MM. | IN. | MM. | IN. | MM. | IN. | MM. | IN. | MM. | IN. | MM. | IN. | MM. | IN. | MM. | IN. | MM. | | | IN. | MM. | | |
| 3/4 | | | | | 6.13 | 156 | 2.84 | 72 | 5.00 | 127 | 10.50 | 267 | 13.38 | 340 | 10.50 | 268 | 16.50 | 419 | 7.88 | 200 | 3.25 | 83 | 2.13 | 54 | 1.63 | 41 | 2.75 | 70 | 3/8 | (10) | 41 | 19 | ST053007BT22A |
| 1 | (25) | | | | 5.50 | 140 | 2.53 | 64 | 5.00 | 127 | 10.50 | 267 | 13.38 | 340 | 10.50 | 268 | 16.50 | 419 | 7.88 | 200 | 3.25 | 83 | 2.13 | 54 | 1.63 | 41 | 2.75 | 70 | 3/8 | (10) | 39 | 18 | ST053010BT22A |
| 1 | (25) | | | 81 | 6.88 | 175 | 3.19 | | 5.00 | 127 | 10.50 | 267 | 13.38 | 340 | 10.50 | 268 | 16.50 | 419 | 7.88 | 200 | 3.25 | 83 | 2.13 | 54 | 1.63 | 41 | 2.75 | 70 | 3/8 | (10) | 45 | 20 | ST053010BR22A |
| 1-1/4 | (32) | | | | 8.75 | 222 | 3.75 | 95 | 6.81 | 173 | 12.75 | 324 | 17.00 | 432 | 13.25 | 330 | 19.88 | 505 | 7.88 | 200 | 3.25 | 83 | 2.13 | 54 | 1.63 | 41 | 2.75 | 70 | 3/8 | (10) | 89 | 40 | ST053012BT22A |
| 1-1/2 | (40) | | | | 7.50 | 190 | 3.25 | 83 | 6.81 | 173 | 12.75 | 324 | 17.00 | 432 | 13.25 | 330 | 19.88 | 505 | 7.88 | 200 | 3.25 | 83 | 2.13 | 54 | 1.63 | 41 | 2.75 | 70 | 3/8 | (10) | 86 | 39 | ST053015BT22A |
| 1-1/2 | (40) | | | | 9.38 | 238 | 4.31 | 109 | 6.81 | 173 | 12.75 | 324 | 17.00 | 432 | 13.25 | 330 | 19.88 | 505 | 7.88 | 200 | 3.25 | 83 | 2.13 | 54 | 1.63 | 41 | 2.75 | 70 | 3/8 | (10) | 97 | 44 | ST053015BR22A |
| 2 | (50) | | | | 10.00 | 254 | 4.50 | 114 | 8.38 | 213 | 15.50 | 394 | 21.75 | 552 | 17.38 | 441 | 26.25 | 667 | 10.63 | 270 | 4.69 | 119 | 2.50 | 64 | 1.81 | 46 | 4.00 | 102 | 5/8 | (16) | 168 | 77 | ST053020BT22A |
| 2 | (50) | | | | 10.00 | 254 | 4.50 | 114 | 8.38 | 213 | 15.50 | 394 | 21.75 | 552 | 17.38 | 441 | 26.25 | 667 | 10.63 | 270 | 4.69 | 119 | 2.50 | 64 | 1.81 | 46 | 4.00 | 102 | 5/8 | (16) | 179 | 81 | ST053020BR22A |
| 2-1/2 | (65) | | | | 10.00 | 254 | 4.50 | 114 | 8.38 | 213 | 15.50 | 394 | 21.75 | 552 | 17.38 | 441 | 26.25 | 667 | 10.63 | 270 | 4.69 | 119 | 2.50 | 64 | 1.81 | 46 | 4.00 | 102 | 5/8 | (16) | 168 | 77 | ST053025BT22A |
| 2-1/2 | (65) | | | | 10.75 | 273 | 4.69 | 119 | 8.38 | 213 | 15.50 | 394 | 21.75 | 552 | 17.38 | 441 | 26.25 | 667 | 10.63 | 270 | 4.69 | 119 | 2.50 | 64 | 1.81 | 46 | 4.00 | 102 | 5/8 | (16) | 167 | 77 | ST053025BR22A |
| 3 | (80) | | | | 13.50 | 343 | 5.93 | 151 | 8.88 | 226 | 18.00 | 457 | 26.50 | 673 | 22.75 | 578 | 35.00 | 889 | 12.00 | 305 | 4.69 | 119 | 2.50 | 64 | 1.81 | 46 | 4.00 | 102 | 5/8 | (16) | 306 | 139 | ST053030BR22A |
| 4 | (100) | | | | 16.00 | 406 | 7.06 | 179 | 13.25 | 337 | 21.63 | 549 | 33.00 | 838 | 24.75 | 629 | 36.75 | 933 | 12.00 | 305 | 5.19 | 132 | 3.94 | 100 | 3.25 | 83 | 4.50 | 114 | 5/8 | (16) | 420 | 191 | ST053040BR22A |

| ITEM | PART NAME | MATERIAL | QTY. |
|-------------|---------------|---------------------------|------------|
| 1 | BODY | STAINLESS ST, A351 CF8M | 1 |
| 2▲ | BASKET | STAINLESS STEEL, 316 | 2▲ |
| | PERF. DIA. | | |
| | MESH SIZE | | |
| 3 | COVER | STAINLESS ST, A351 CF8M | 2 |
| 4 | CARTRIDGE | STAINLESS ST, A351 CF8M | 1 |
| 5 | STUD | CARBON STEEL | 4 |
| 6 | EYENUT | CARBON STEEL | 4 |
| 7 | PIPE PLUG | STAINLESS STEEL | 2, 3, 2 |
| 8 | WASHER | STAINLESS STEEL | 1▲ |
| 10▲ | STEM RETAINER | STAINLESS STEEL | 1 |
| 11 | CAP SCREW | CARBON STEEL | 1, 4, 1 |
| 12 13 14 | VENT VALVE | STAINLESS STEEL | 1 |
| 15 | PIN | CARBON STEEL | 1 |
| 16 | HANDLE | DUCTILE IRON/CARBON STEEL | 1 |
| 17 | CAP SCREW | CARBON STEEL | 1 |
| 18 | O-RING | VITON | 2▲, 4▲, 2▲ |
| 19▲ 20▲ 21▲ | SEAL | VITON | 4▲ |
| 22▲ | SEAT | TEFLON | 4▲ |
| 23▲ | BALL | STAINLESS STEEL | 2 |
| 24 | STEM | STAINLESS STEEL | 1, 1 |
| 25 26 | (▲ - SPARES) | | |

NOTES:
 1. INLET/OUTLET CONNECTIONS PER ANSI STANDARDS.
 2. MAX. WORKING PRESSURE: 200 PSI @ 150° F
 (13.8 BAR @ 65.5°C)
 3. BUSHINGS USED FOR 3/4" & 1-1/4" CONNECTIONS.

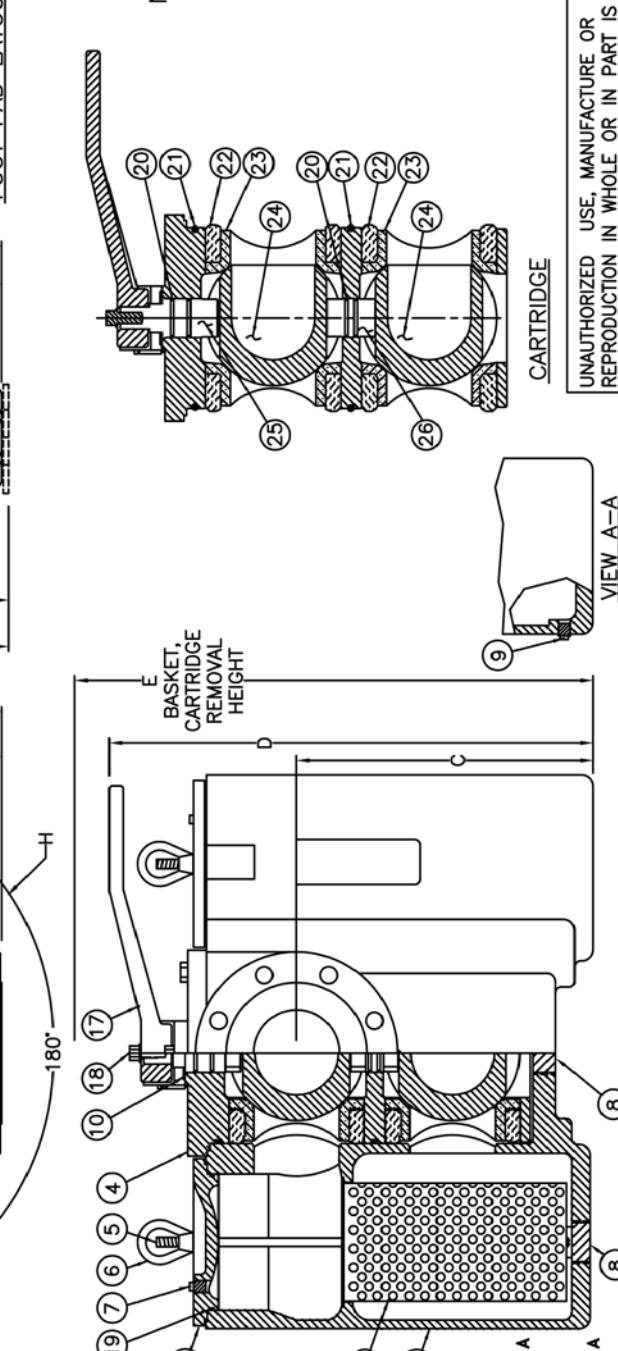
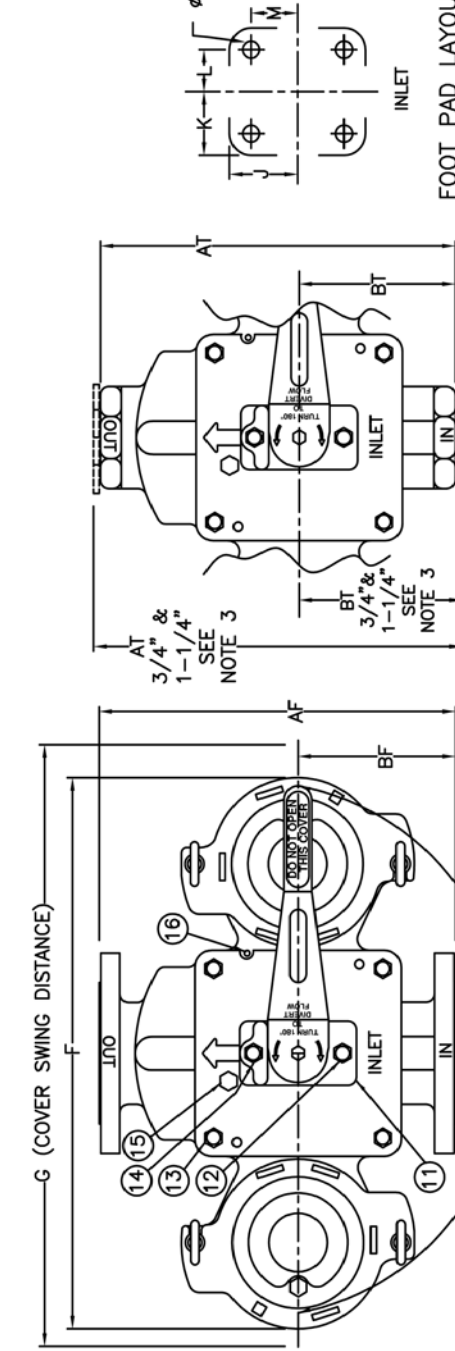
CERTIFIED FOR: --
 P.O. NO.: -- QUOTE NO.: --
 REG. NO.: -- TAG NO.: --

Monarch Asia Pacific - Brisbane, Australia
 web: www.monarchasiapacific.com.au
 PSF Equipment - Bangkok, Thailand
 web: www.psfthailand.com

FATON

NAME MODEL 53 "BTX" - DUPLEX STRAINER
 ANSI CLASS 150 RF FLANGE & NPT
 SIZES 3/4" THROUGH 4" STAINLESS STEEL

| | | | | | | | |
|-------|-----|------|----------|-------|----|------|----------|
| DRAWN | VA | DATE | 12/16/99 | CERT. | WB | DATE | 12/16/99 |
| SIZE | DWG | NO. | A | REV | | | H |



UNAUTHORIZED USE, MANUFACTURE OR REPRODUCTION IN WHOLE OR IN PART IS PROHIBITED.

ELECTRONIC FILE NAME: SD053084.DWG
 REF. ECR D507 DATE 11/1/05