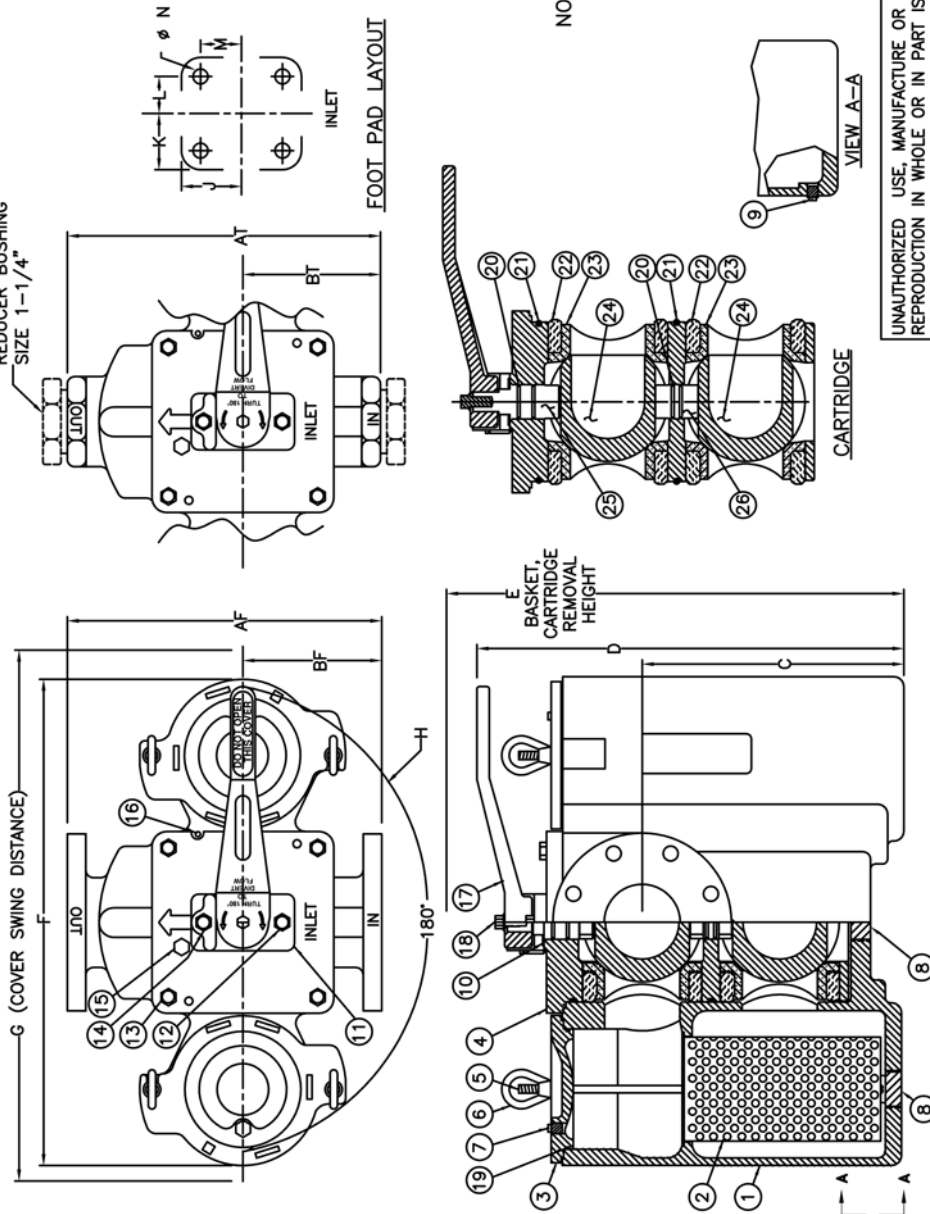


PIPE SIZE (NOMINAL)	DIMENSIONS												STRAINER WEIGHT		STRAINER PART NO.																										
	IN.	MM.	AF±0.13 IN.	MM.	BT	IN.	MM.	C	IN.	MM.	D	IN.	MM.	E		IN.	MM.	F	IN.	MM.	G	IN.	MM.	H	IN.	MM.	J	IN.	MM.	K	IN.	MM.	L	IN.	MM.	M	IN.	MM.	N	IN.	MM.
3/4	(20)	5.50	140	2.53	64	5.00	127	10.50	267	13.38	340	10.50	268	16.50	419	7.88	200	3.25	83	2.13	54	1.63	41	2.75	70	3/8	(10)	37	17	ST053007AT46TS											
1	(25)	5.50	140	2.53	64	5.00	127	10.50	267	13.38	340	10.50	268	16.50	419	7.88	200	3.25	83	2.13	54	1.63	41	2.75	70	3/8	(10)	37	17	ST053010AT46TS											
1	(25)	6.88	175	3.19	81	5.00	127	10.50	267	13.38	340	10.50	268	16.50	419	7.88	200	3.25	83	2.13	54	1.63	41	2.75	70	3/8	(10)	42	19	ST053010AF46TS											
1-1/4	(32)	8.75	222	3.88	99	6.81	173	12.75	324	17.00	432	13.25	330	19.88	505	7.88	200	3.25	83	2.13	54	1.63	41	2.75	70	3/8	(10)	80	36	ST053012AT46TS											
1-1/2	(40)	7.50	190	3.25	83	6.81	173	12.75	324	17.00	432	13.25	330	19.88	505	7.88	200	3.25	83	2.13	54	1.63	41	2.75	70	3/8	(10)	83	38	ST053015AT46TS											
1-1/2	(40)	9.38	238	4.31	109	6.81	173	12.75	324	17.00	432	13.25	330	19.88	505	7.88	200	3.25	83	2.13	54	1.63	41	2.75	70	3/8	(10)	90	41	ST053015AF46TS											
2	(50)	10.00	254	4.50	114	8.38	213	15.50	394	21.75	552	17.38	441	26.25	667	10.63	270	4.69	119	2.50	64	1.81	46	4.00	102	5/8	(16)	157	71	ST053020AT46TS											
2	(50)	10.63	270	4.63	117	8.38	213	15.50	394	21.75	552	17.38	441	26.25	667	10.63	270	4.69	119	2.50	64	1.81	46	4.00	102	5/8	(16)	167	76	ST053020AF46TS											
2-1/2	(65)	10.00	254	4.50	114	8.38	213	15.50	394	21.75	552	17.38	441	26.25	667	10.63	270	4.69	119	2.50	64	1.81	46	4.00	102	5/8	(16)	157	71	ST053025AT46TS											
2-1/2	(65)	10.75	273	4.69	119	8.38	213	15.50	394	21.75	552	17.38	441	26.25	667	10.63	270	4.69	119	2.50	64	1.81	46	4.00	102	5/8	(16)	183	83	ST053025AF46TS											
3	(80)	13.50	343	5.93	151	8.88	226	18.00	457	26.50	673	22.75	578	35.00	889	12.00	305	4.69	119	2.50	64	1.81	46	4.00	102	5/8	(16)	285	129	ST053030AF46TS											
4	(100)	16.00	406	7.06	179	13.25	337	21.63	549	33.00	838	24.75	629	36.75	933	12.00	305	5.19	132	3.94	100	3.25	83	4.50	114	5/8	(16)	391	177	ST053040AF46TS											



ITEM	PART NAME	MATERIAL	QTY.
1	BODY	CAST IRON, A126 CL. B	1
2▲	BASKET	STAINLESS STEEL, 316	2▲
	PERF. DIA.		
	MESH SIZE		
3	COVER	DUCTILE IRON, A395	2
4	CARTRIDGE	DUCTILE IRON, A395	1
5	STUD	CARBON STEEL	4
6	EYENUT	CARBON STEEL	4
7	PIPE PLUG	CAST IRON	2, 3, 2
8	WASHER	STAINLESS STEEL	1▲
9	STEM RETAINER	STAINLESS STEEL	1
10▲	CAP SCREW	CARBON STEEL	1, 4, 1
11	VENT VALVE	BRASS	1
12	PIN	CARBON STEEL	1
13	HANDLE	DUCTILE IRON/CARBON STEEL	1
14	CAP SCREW	CARBON STEEL	1
15	O-RING	BUNA-N	2▲, 4▲, 2▲
16	SEAL	BUNA-N	4▲
17	SEAT	TEFLON	4▲
18	BALL	STAINLESS STEEL	2
19	STEM	STAINLESS STEEL	1, 1
20			
21			
22			
23			
24			
25, 26			

NOTES: 1. INLET/OUTLET CONNECTIONS PER ANSI STANDARDS.
 2. MAX. WORKING PRESSURE: 200 PSI @ 150° F
 (13.8 BAR @ 65.5° C)

CERTIFIED FOR: --
 P.O. NO.: -- QUOTE NO.: --
 REG. NO.: -- TAG NO.: --

Monarch Asia Pacific - Brisbane, Australia
 web: www.monarchasiapacific.com.au
 PSF Equipment - Bangkok, Thailand
 web: www.psfthailand.com

FATON

NAME MODEL 53 "BTX" - DUPLEX STRAINER
 ANSI CLASS 125 FF FLANGE & NPT
 SIZES 3/4" THROUGH 4" CAST IRON

DATE 08/16/99 CERT. WB DATE 08/16/99
 DRAWN VA
 SIZE DWG NO
 A

REV F

UNAUTHORIZED USE, MANUFACTURE OR REPRODUCTION IN WHOLE OR IN PART IS PROHIBITED.

ELECTRONIC FILE NAME: SD053081.DWG
 REF. ECR D627 DATE 12/15/05