

DRAWING NO.
AL 73177

| BODY PRESSURE & TEMPERATURE RATINGS - NON SHOCK | | | |
|---|--------|-----------------|-----------------|
| NOM. RATING | MEDIA | 2" TO 12" | 14" AND UP |
| 250# ASA R.F.&D. | STEAM | 250 PSI @ 450°F | 200 PSI @ 406°F |
| (EXTRA HY. FLANGE) | W.O.G. | 500 PSI @ 150°F | 300 PSI @ 150°F |

| PARTS LIST | | |
|------------|--------------------|--------------------------------|
| ITEM | DESCRIPTION | MATERIAL |
| 1 | BODY | CAST IRON (ASTM A-126 CLASS B) |
| 2 | SCREEN (BASKET) | STAINLESS STEEL (304) |
| 3 | GASKET | COMPOSITION |
| 4 | CAP | CAST IRON (ASTM A-126 CLASS B) |
| 5 | PIPE PLUG | MALLEABLE IRON |
| 6 | HEX HEAD CAP BOLTS | STEEL |

| DIMIENSIONS | | | | | | | |
|-------------|----------|--------|--------|-----|--------|--------|----------|
| SIZE | A | B | C | D | E | F | H |
| 2 | 8-1/2 | 3-7/8 | 5-1/4 | 1/2 | 6-1/2 | 5 | 4-3/16 |
| 2-1/2 | 9-1/4 | 5-3/4 | 5-1/4 | 3/4 | 7-1/2 | 5-7/8 | 4-15/16 |
| 3 | 9-1/2 | 5-3/4 | 5-1/4 | 3/4 | 8-1/4 | 6-5/8 | 5-11/16 |
| 4 | 11-13/16 | 8-9/16 | 6 | 1 | 10 | 7-7/8 | 6-15/16 |
| 5 | 15-3/8 | 10-1/2 | 7-3/4 | 1 | 11 | 9-1/4 | 8-5/16 |
| 6 | 15-1/2 | 10-1/2 | 7-3/4 | 1 | 12-1/2 | 10-5/8 | 9-11/16 |
| 8 | 23-1/4 | 13-3/4 | 14 | 3/4 | 15 | 13 | 11-15/16 |
| 10 | 27-3/8 | 17 | 18 | 3/4 | 17-1/2 | 15-1/4 | 14-1/16 |
| 12 | 31-3/4 | 20-3/4 | 21 | 2 | 20-1/2 | 17-3/4 | 16-7/16 |
| 14 | 31-1/2 | 22-1/4 | 14 | 3 | 23 | 20-1/4 | 18-15/16 |
| 16 | 34-5/8 | 21-3/4 | 17-1/2 | 3 | 25-1/2 | 22-1/2 | 21-1/16 |

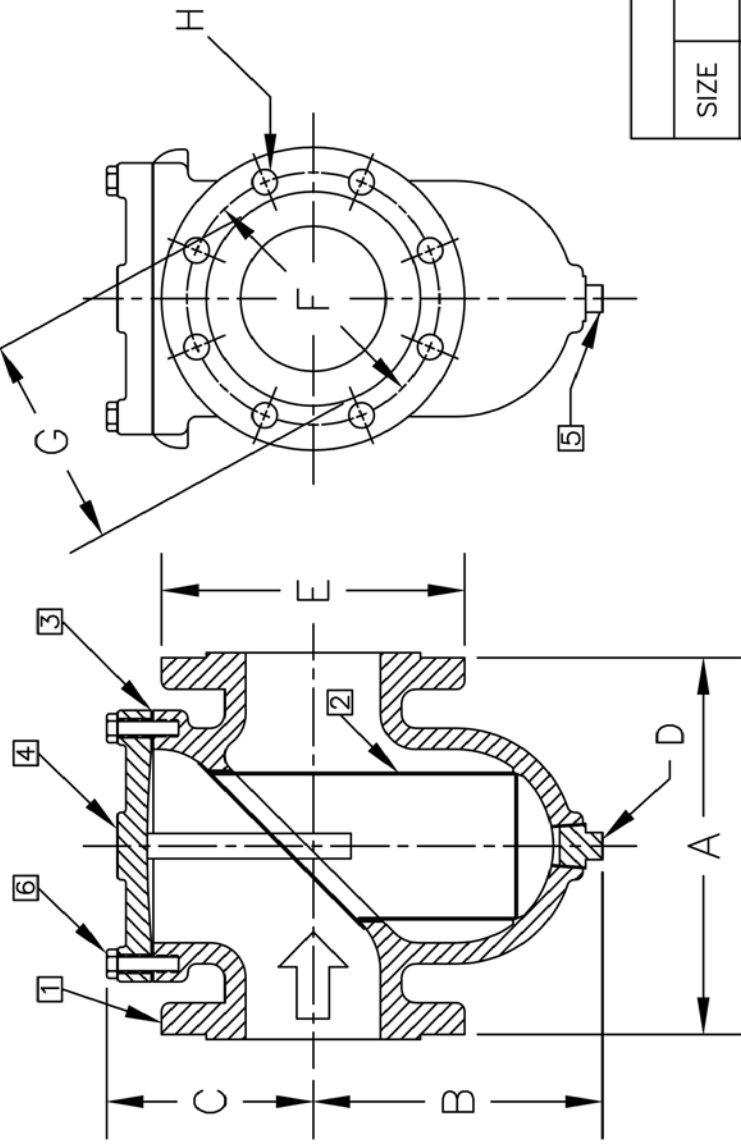
LARGER SIZES AVAILABLE ON APPLICATION

| STANDARD SCREEN SUPPLIED | |
|--------------------------|--------------------|
| SIZE | SCREEN PERFORATION |
| 2" TO 3" | 1/16 |
| 4" TO 16" | 1/8 |

| WEIGHTS (APPROXIMATE) | | | | | | | | | | | |
|-----------------------|----|-------|----|-----|-----|-----|-----|-----|------|------|------|
| SIZE | 2 | 2-1/2 | 3 | 4 | 5 | 6 | 8 | 10 | 12 | 14 | 16 |
| 125# | 29 | 53 | 65 | 107 | 187 | 224 | 410 | 748 | 1285 | 1230 | 1730 |

IF REQUIREMENTS OR MEDIA ARE NOT SPECIFIED, STANDARD SCREENS FOR STEAM SERVICE WILL BE SUPPLIED

CERTIFIED DIMENSIONAL DRAWINGS ARE AVAILABLE UPON REQUEST



Monarch Asia Pacific - Brisbane, Australia
 web: www.monarchasiapacific.com.au
PSF Equipment - Bangkok, Thailand
 web: www.psfthailand.com

DIMENSIONAL ASSEMBLY

2" to 16" Model HPCI

STRAINER, 250# FLANGE

MAT'L: CAST IRON REQ. —

DRAWING NO.
AL 73177

PART NO.

SCALE: NTS

DATE: 08/02/00

DR.BY REW