

## Simplex Basket Strainer

# Model 72



- Sizes 3/8" to 8"
- Iron, Bronze, Carbon Steel, or Stainless Steel
- Threaded or Flanged

### FEATURES

- Quick open cover—no tools needed
- Heavy wall construction
- Large capacity baskets
- Machined basket seat
- Threaded drain
- Perforated or mesh 316 stainless basket
- Mounting feet for stable installation for flanged units 2" and larger

### OPTIONS

- Basket perforations from 1/32" to 1/2"
- Basket mesh from 20 to 400
- Monel baskets
- Viton, PTFE-encapsulated, or EPDM seals
- Vent valves
- Gauge/vent taps - 1/4" NPT
- Magnetic basket inserts
- Pressure differential gauge and switch

The Eaton Model 72 has been the industry standard simplex basket strainer for more than 75 years. It is perfect for industrial and commercial applications in which the line can be temporarily shut down for strainer basket cleaning or changeout.

A reason for its popularity is the unusually large basket capacity. The free straining area with a perforated basket is a minimum of six times the cross sectional pipe area. No tools are needed to open the cover. The quick opening, swinging yoke can be disassembled and the basket removed in seconds. On sizes 4" and larger, a special cover clamp is provided to distribute

the seating pressure and to ensure positive seating of the cover.

Another feature is a threaded drain on every size strainer (fitted with a plug). Sizes 2" and larger are equipped with legs that bolt to the floor for rock solid installation.

Wall thicknesses are exceptionally heavy. The basket seats are precision machined to give a tight seal and prevent any material from bypassing the basket. The Eaton Model 72 simplex basket strainer is a top quality, heavy-duty unit designed to stand up to the most demanding of applications.

**Monarch Asia Pacific - Brisbane, Australia**  
web: [www.monarchasiapacific.com.au](http://www.monarchasiapacific.com.au)

**PSF Equipment - Bangkok, Thailand**  
web: [www.psfthailand.com](http://www.psfthailand.com)

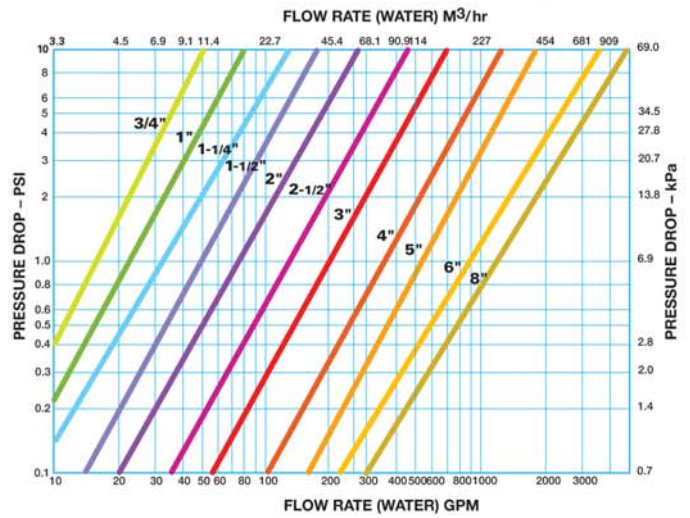
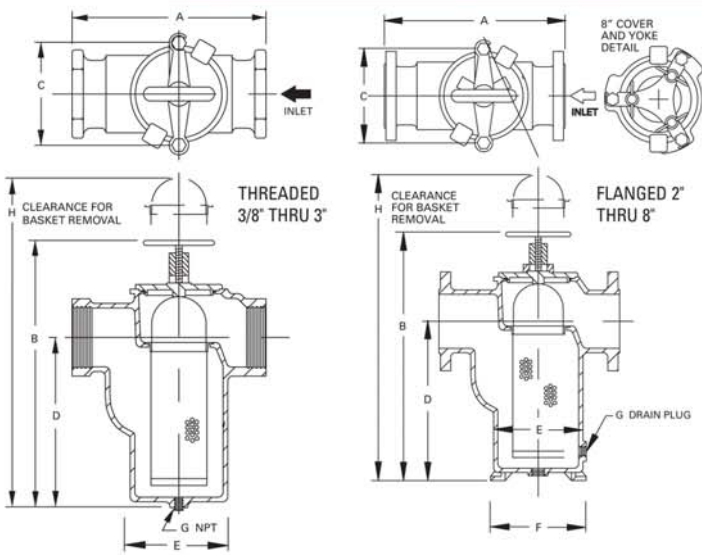


Powering Business Worldwide

### Model 72 Simplex

Size	Material	End Connection	Seals	Pressure Rating
3/8" to 3"	Iron and Bronze	Threaded	Buna-N	200 psi @ 100°F
1" to 3"	Carbon Steel	Threaded	Buna-N	200 psi @ 100°F
1" to 3"	Stainless Steel	Threaded	Viton®	200 psi @ 100°F
1" to 8"	Iron	Flanged 125#	Buna-N	200 psi @ 100°F
1" to 8"	Bronze	Flanged 150#	Buna-N	200 psi @ 100°F
1" to 8"	Carbon Steel	Flanged 150#	Buna-N	200 psi @ 100°F
1" to 8"	Stainless Steel	Flanged 150#	Viton®	200 psi @ 100°F

# MODEL 72 Simplex Basket Strainer



## Threaded Model 72 Dimensions (in/mm)

Dimensions and weights are for reference only. Contact Eaton for certified drawings.

Size	A	B	C	D	E	F	G	H	Net Wt (lbs / kg)			
									Bronze	Carbon Steel	Iron	Stainless Steel
3/8"	4.00 / 102	6.63 / 168	2.88 / 73	4.00 / 102	2.38 / 60	-	3/8"	11 / 279	4 / 1.8	-	4 / 1.8	-
1/2"	4.00 / 102	6.63 / 168	2.88 / 73	4.00 / 102	2.38 / 60	-	3/8"	11 / 279	4 / 1.8	-	4 / 1.8	-
3/4"	5.38 / 137	8.38 / 213	4.00 / 102	5.00 / 127	3.06 / 78	-	1/2"	13 / 330	8 / 3.6	-	7 / 3.2	-
1"	5.38 / 137	8.38 / 213	4.00 / 102	5.00 / 127	3.06 / 78	-	1/2"	13 / 330	8 / 3.6	7 / 3.2	7 / 3.2	7 / 3.2
1-1/4"	6.75 / 172	9.88 / 251	4.88 / 124	5.88 / 149	3.88 / 99	-	1/2"	14 / 356	13 / 6	-	12 / 6	-
1-1/2"	7.25 / 184	11.00 / 279	4.88 / 124	7.00 / 178	4.00 / 102	-	3/4"	16 / 406	16 / 7	15 / 7	15 / 7	16 / 7.3
2"	8.75 / 222	13.38 / 340	6.75 / 172	7.63 / 194	5.13 / 130	-	1-1/4"	21 / 533	32 / 15	36 / 16	28 / 13	31 / 14
2-1/2"	10.38 / 264	14.88 / 378	8.00 / 203	8.63 / 219	6.38 / 162	-	1-1/2"	26 / 660	49 / 22	52 / 24	42 / 19	51 / 23
3"	11.50 / 292	17.75 / 468	8.00 / 203	11.38 / 298	6.63 / 168	-	1-1/2"	28 / 711	60 / 27	60 / 27	52 / 23	60 / 27

## Mod. 72Cv Factors\*

Size	Value	Size	Value
3/8"	15.0	2"	73
1/2"	15.0	2-1/2"	125
3/4"	15.0	3"	180
1"	22.5	4"	350
1-1/4"	31.5	6"	900
1-1/2"	46.0	8"	1400

\* For water with clean, perforated basket

## Flanged Model 72 Dimensions (in/mm)

Size	A	B	C	D	E	F	G	H	Net Wt (lbs / kg)			
									Bronze	Carbon Steel	Iron	Stainless Steel
1"	7.63 / 194	8.38 / 213	4.00 / 102	5.00 / 127	-	-	1/2"	13.00 / 330	16 / 7	9 / 4	9 / 4	9 / 4
1-1/2"	10.25 / 260	11.00 / 279	4.88 / 124	7.00 / 178	-	-	3/4"	16.00 / 406	30 / 14	17 / 7.7	17 / 7.7	17 / 7.7
2"	10.50 / 268	13.75 / 349	6.75 / 172	7.63 / 194	5.13 / 130	6.25 / 159	3/8"	20.00 / 508	49 / 22.3	36 / 16	36.5 / 17	36 / 16
2-1/2"	11.63 / 295	15.63 / 397	8.00 / 203	8.88 / 226	6.38 / 162	7.63 / 194	3/8"	23.00 / 584	64 / 29.1	63 / 27	54 / 25	63 / 29
3"	13.13 / 334	18.00 / 457	8.00 / 203	10.63 / 270	6.50 / 165	8.00 / 203	3/8"	27.00 / 686	85 / 38.6	-	76 / 35	-
3"	13.13 / 334	18.75 / 476	7.94 / 202	12.00 / 305	6.50 / 165	8.00 / 203	1/2"	27.00 / 686	-	86 / 39	-	86 / 39
4"	16.75 / 425	19.88 / 505	10.75 / 273	10.75 / 273	9.63 / 245	11.38 / 289	1/2"	30.00 / 762	140 / 63.6	-	125 / 55	-
4"	17.25 / 438	19.88 / 505	10.69 / 272	10.69 / 272	9.25 / 235	11.38 / 289	1/2"	30.00 / 762	-	130 / 59	-	130 / 59
5"	18.13 / 461	25.13 / 638	10.75 / 273	15.25 / 387	10.00 / 254	11.38 / 289	1/2"	41.00 / 1041	182 / 82.7	-	170 / 775	-
6"	19.63 / 499	28.50 / 724	10.69 / 272	18.38 / 467	10.00 / 254	11.38 / 289	1/2"	46.00 / 1168	270 / 122.7	235 / 107	200 / 91	235 / 107
8"	27.00 / 686	40.50 / 1029	-	27.00 / 686	13.75 / 349	17.50 / 445	1/2"	60.00 / 1524	600 / 272.7	550 / 250	500 / 227	550 / 250

©2011 Eaton Corporation. All Rights Reserved. All trademarks and registered trademarks are the property of their respective owners. Litho USA. All information and recommendations appearing in this brochure concerning the use of products described herein are based on tests believed to be reliable. However, it is the user's responsibility to determine the suitability for his own use of such products. Since the actual use by others is beyond our control, no guarantee, expressed or implied, is made by Eaton as to the effects of such use or the results to be obtained. Eaton assumes no liability arising out of the use by others of such products. Nor is the information herein to be construed as absolutely complete, since additional information may be necessary or desirable when particular or exceptional conditions or circumstances exist or because of applicable laws or government regulations.

Monarch Asia Pacific - Brisbane, Australia  
web: [www.monarchasiapacific.com.au](http://www.monarchasiapacific.com.au)

PSF Equipment - Bangkok, Thailand  
web: [www.psfthailand.com](http://www.psfthailand.com)



EF-SCPS-03  
6-2011